

Product Change Notice

Date of Issue: April 19, 2024

Manufacturer Name: Microlab
Title of Change: Product Design Change
Type of Change: TK-200/TK-600 Series Manufacturing Enhancement and Design Modification

Change Description For the low PIM terminations models **TK-605FE, TK-605MG, TK-605ME, TK-610FE, TK-610MG, and TK-610ME**, the housing tube length is increasing from 3.75 inches to 4.5 inches. Additionally, for models **TK-225MG, TK-225MD, and TK-225MN**, the length of the heatsink is increasing from 4 inches to 4.5 inches. There is no change to the diameter of the housing/heatsink. These modifications are confirmed to maintain the same electrical and thermal performance as the previous design.

Reason for Change: This design change aims to improve our manufacturing process and increase our production capacity. It is also part of our ongoing efforts to enhance production techniques, ensuring that our products are consistently more reliable and of higher quality.

Notice Effective Date: April 19, 2024

Last Time Buy Date: N/A

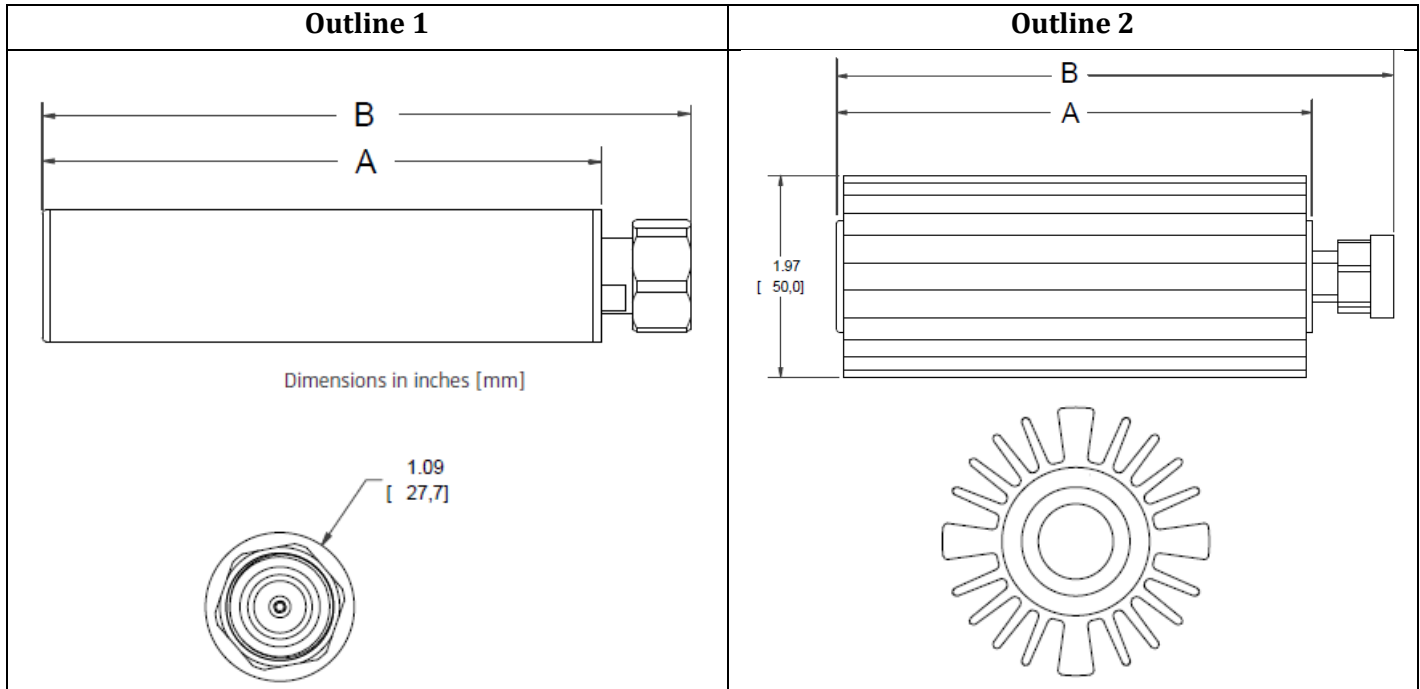
Last Time Ship Date: N/A

Manufacturer Contact: sales@microlabtech.com

Affected Products:

Part Number	Product Description
TK-605FE	Termination 350-5925MHz 5W -161dBc 4.3-10(f) IP67
TK-605MG	Termination 350-5925MHz, 5W, -161dBc 2.2-5(m) IP67
TK-605ME	Termination 350-5925MHz 5W -161dBc 4.3-10(m) IP67
TK-610FE	Termination 350-5925MHz 10W -161dBc 4.3-10(f) IP67
TK-610MG	Termination 350-5925MHz, 10W, -161dBc 2.2-5(m) IP67
TK-610ME	Termination 350-5925MHz 10W -161dBc 4.3-10(m) IP67
TK-225MG	Termination 350-2700MHz, 25W -161dBc 4.3-10(m), IP67
TK-225MD	Termination 350-2700MHz 25W -161dBc 7-16(m) IP67
TK-225MN	Termination 350-2700MHz 25W -161dBc N-type(m) IP67

Mechanical Outline



Part Number	Outline	Previous Length 'A' in[mm]	Previous Length 'B' in[mm]	New Length 'A' in[mm]	New Length 'B' In[mm]
TK-605FE	Outline 1	3.88[98.6]	4.65[118.1]	4.63[117.6]	5.4[137.2]
TK-605MG			4.68[118.9]		5.43[137.9]
TK-605ME			4.62[117.3]		5.37[136.4]
TK-610FE			4.65[118.1]		5.4[137.2]
TK-610MG			4.68[118.9]		5.43[137.9]
TK-610ME			4.62[117.3]		5.37[136.4]
TK-225MG	Outline 2	4.13[104.9]	4.93[125.2]	4.63[117.6]	5.43[137.9]
TK-225MD			4.95[125.7]		5.45[138.4]
TK-225MN			4.93[125.2]		5.43[137.9]