

- ◆ For LTE-LAA Applications
- ◆ 2W Power Rating
- ◆ Highly Reliable
- ◆ RoHS Compliant
- ◆ Economic Price
- ◆ 4.3-10 Connector



AT-03E

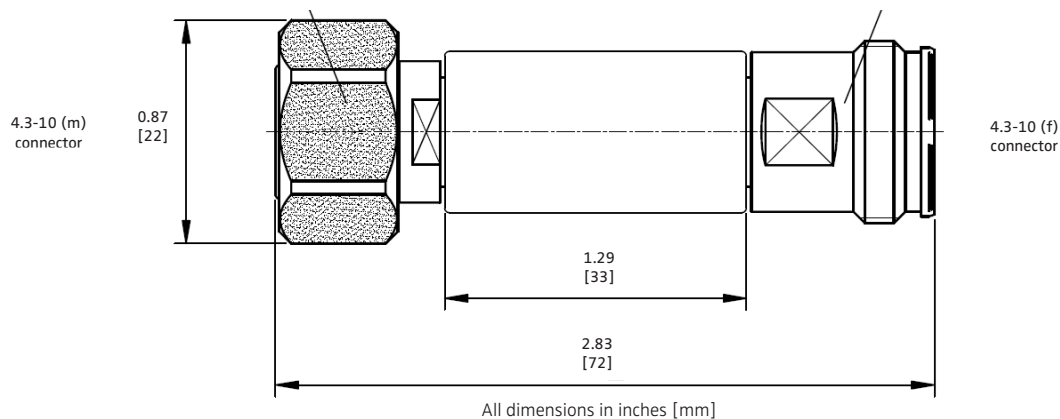
Model Number	Attenuation Value (dB)	Attenuation Accuracy (dB)
AT-01E	1	+/- 0.5
AT-02E	2	+/- 0.5
AT-03E	3	+/- 0.5
AT-04E	4	+/- 0.5
AT-05E	5	+/- 0.5
AT-06E	6	+/- 0.5
AT-07E	7	+/- 0.5
AT-08E	8	+/- 0.5
AT-09E	9	+/- 0.5
AT-10E	10	+/- 0.5
AT-11E	11	+/-0.5
AT-12E	12	+/-0.5
AT-13E	13	+/-0.5
AT-14E	14	+/-0.5
AT-15E	15	+/-0.5
AT-20E	20	+/-0.6
AT-30E	30	+/-0.6

Frequency Range:	DC to 6.0 GHz
Power Rating:	2W avg.
Peak Power:	0.5 kW (5us Pulse width with 0.5% duty cycle)
Impedance:	50Ω nominal
VSWR max.:	<1.25:1
Temperature Range:	-55°C to +125°C*
Finish/Material:	RoHS Compliant
Connector:	4.3-10 (m-f), Triplate
Weight:	2.85 oz. (80.75 g)
*Power Derated linearly to 0.5W at 125°C	

This AT series attenuators are coaxial attenuators for wireless applications in the wide DC to 6 GHz frequency range having low VSWR.

The attenuator is constructed of resistive element in a conventional series circuit. Units are exceptionally rugged, and effects of normal ambient temperature and humidity are negligible..

AT Series Outline



Note: Specifications are subject to change without prior notification.

17DEC2018