

Now with coverage to 5,930 MHz

- ◆ Split ratios from 1000:1 to 2:1
- ◆ Tetra, PMR, Cellular, UMTS, WiFi & WiMAX to 5,930 MHz
- ◆ Low Specified PIM
- ◆ 500 W Avg Power Rating
- ◆ Minimal RF Insertion Loss
- ◆ RoHS compliant
- ◆ High Reliability, IP67



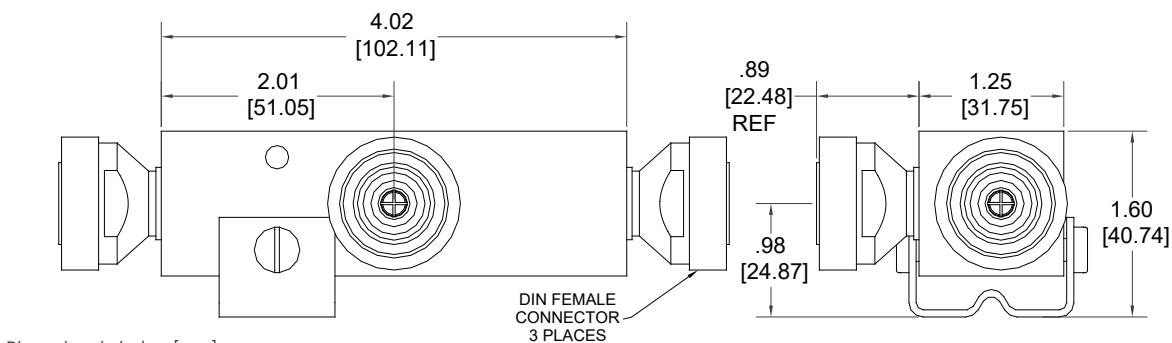
Microlab DN-x4FD series of Tappers unevenly split high power cellular signals in fixed ratios from 1000:1 to 2:1 with minimal reflections or loss over the key wireless bands in the range 350 - 5,930 MHz, (there is no coupling 1550 to 1650 MHz). The innovative asymmetric design ensures an excellent input VSWR and coupling flatness across the specified bands, even down to a 2:1 split.

The lightweight design allows easy attachment to a wall using the supplied bracket. Designed with only a few solder joints and an air dielectric, loss is minimized and reliability enhanced. See DN-x4FN and DN-x4FE series for similar Tappers with N and 4.3-10 connectors.

Frequency Bands: Bands specified below
Dissipative Loss: <0.1 dB (main line)
Power Rating: 500W avg., 3 kW peak
Impedance: 50Ω nominal
Intermod. (PIM): -161 dBc (-118 dBm)
(2 tones at +43dBm)
Environment: IP67, -40°C to +85°C
Connectors: 7/16 DIN (f) trimetal
Housing Finish: Passivated Aluminum
Weight, nom: 14 oz (380 g)
Mounting: Bracket supplied

| Model Number | Ratio, nom. (dB Δ btwn Outputs) | Output Split Main/Branch (dB) | Branch Flatness ref. to Input Level, incl Loss, dB | | | | | | | | Input VSWR* max | |
|--------------|------------------------------------|-------------------------------------|--|--------------|--------------|----------------|----------------|----------------|----------------|---------------|-----------------|--|
| | | | 350 - 380MHz | 380 - 520MHz | 617 - 960MHz | 1710 - 2700MHz | 3500 - 4500MHz | 4900 - 5850MHz | 5850 - 5930MHz | 700 - 2500MHz | 350 - 5930MHz | |
| DN-34FD | 2:1/3.0dB | -1.8/-4.8 | +0/-1.3 | +0.3/-1.0 | ± 0.4 | ± 0.4 | +0.1/-1.7 | +0.4/-0.6 | +0.4/-0.6 | 1.3:1 | 1.5:1 | |
| DN-44FD | 3:1/4.8dB | -1.3/-6.1 | +0/-1.3 | +0.3/-0.8 | ± 0.3 | ± 0.4 | +0/-1.7 | +0.4/-0.6 | +0.4/-0.6 | 1.2:1 | 1.4:1 | |
| DN-54FD | 4:1/6.0dB | -1.0/-7.0 | +0/-1.3 | +0.3/-0.8 | ± 0.3 | ± 0.4 | +0/-1.7 | +0.4/-0.6 | +0.4/-0.6 | 1.2:1 | 1.3:1 | |
| DN-64FD | 6:1/8.0dB | -0.7/-8.5 | +0/-1.3 | +0.2/-0.6 | ± 0.4 | ± 0.4 | +0/-1.5 | ± 0.6 | ± 0.6 | 1.2:1 | 1.3:1 | |
| DN-74FD | 10:1/10dB | -0.4/-10.5 | +0/-1.3 | +0.3/-0.5 | ± 0.4 | ± 0.4 | +0/-1.5 | ± 0.6 | ± 0.6 | 1.2:1 | 1.3:1 | |
| DN-84FD | 20:1/13dB | -0.2/-13.0 | ± 1.0 | ± 0.5 | ± 0.5 | ± 0.5 | +0.2/-1.0 | ± 0.6 | ± 0.6 | 1.2:1 | 1.3:1 | |
| DN-94FD | 30:1/15dB | -0.1/-15.3 | ± 1.0 | ± 0.8 | ± 0.6 | ± 0.5 | +0.2/-1.3 | ± 0.8 | +0.8/-1.8 | 1.2:1 | 1.3:1 | |
| DN-04FD | 100:1/20dB | -0.1/-20.1 | ± 1.0 | ± 1.0 | ± 0.8 | +0.2/-1.4 | +2/-0 | +4/-0 | +6.0/-0 | 1.25:1 | 1.25:1 | |
| DN-14FD | 1000:1/30dB | -0.1/-30.1 | ± 1.5 | ± 1.5 | +1.4/-0.2 | +1.0/-0.5 | +2.5/-0.5 | +3/-1 | +3/-1 | 1.2:1 | 1.3:1 | |

*VSWR is not defined at 1550 - 1650 MHz



Dimensions in inches [mm]

Note: Specifications are subject to change without prior notification.

23APR2018