

### \$ Saver Product Line

- ◆ Multiple-Band Frequency  
700, 850, 900, PCS, UMTS,  
WCS, CBRS, Band 43, WiFi,  
LTE-LAA
- ◆ Up to 500 W Average Power
- ◆ Minimal RF Insertion Loss
- ◆ High Reliability, IP65
- ◆ Low Specified PIM
- ◆ RoHS Compliant
- ◆ Low Cost Design



Model D4-16E



Microlab Model Dx-16FE series of 2, 3 and 4 way Power Splitters have been designed to evenly split high power cellular, Wi-Fi, and LTE-LAA signals with minimal reflections or loss. All joints are moisture sealed to meet the IP65. The mechanical shape allows easy attachment to a wall using the supplied clips.

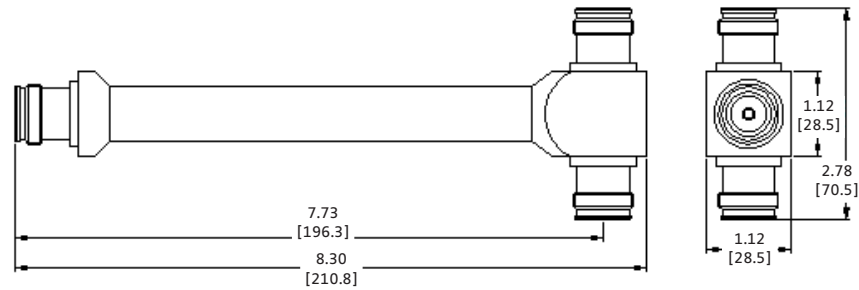
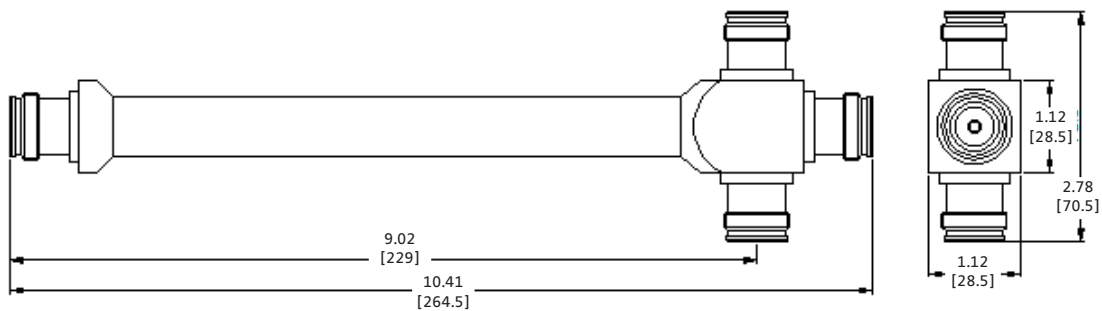
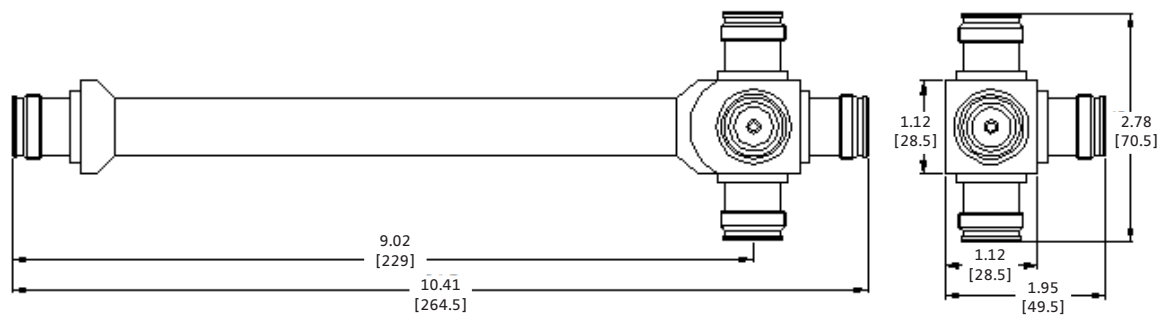
The wide frequency range allows use with multiband antennas and leaky cable systems. With few solder joints and an air dielectric, the loss has been minimized and reliability enhanced. Units are also available with either N or 7/16 DIN connectors.

Frequency Range:	694 - 3800 MHz
Impedance:	50Ω nominal
Power Rating:	500W avg.
PIM, Passive IM:	<-161dBc (-118 dBm) (2 tones at +43 dBm)
Temperature:	-35°C to +85°C
Environment:	IP65, RoHS compliant
Finish: Connectors:	4.3-10 (f), Triplate
Housing:	Passivated aluminum
Mounting:	2 Clips supplied

Model No/Connectors 4.3-10 (f)	No. of Ways	Split Loss	Insertion Loss 694 - 3800 MHz	Input VSWR	Weight, nom. lb (kg)
<b>D2-16FE</b>	2	3 dB	<0.25 dB	<1.25:1	0.45 (0.20)
<b>D3-16FE</b>	3	4.8 dB	<0.35 dB	<1.30:1	0.60 (0.27)
<b>D4-16FE</b>	4	6 dB	<0.45 dB	<1.35:1	0.70 (0.32)

Note: Specifications are subject to change without prior notification.

20MAR2018

**D2-16FE Outline**

**D3-16FE Outline**

**D4-16FE Outline**


All dimensions in inches [mm]

**Note: Specifications are subject to change without prior notification.**