

- ◆ Multiple-Band Frequencies
- ◆ 500 Watt Continuous Average Power
- ◆ Minimal RF Insertion Loss
- ◆ High Reliability, IP67
- ◆ Low Specified PIM
- ◆ RoHS compliant
- ◆ Low Cost Design



Four Way Splitter D4-85FE

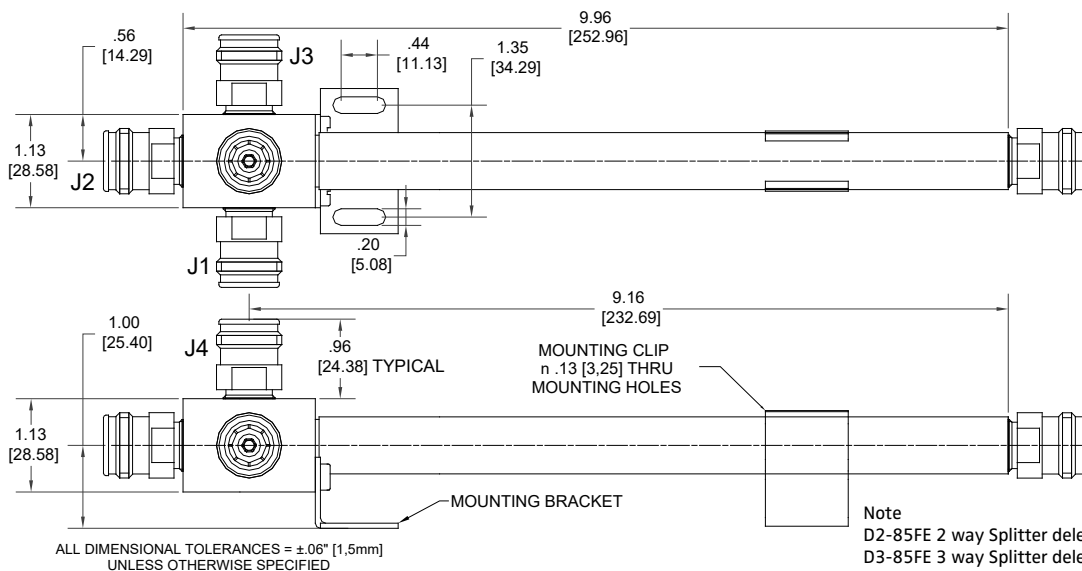
Microlab Model Dx-85FE series of 2, 3, 4 and 6 way Power Splitters have been designed to evenly split high power cellular signals with minimal reflections or loss. All joints are moisture sealed to meet the IP67 rating. The design allows simple attachment to wall using the supplied bracket and clip.

The wide frequency range allows use with multiband antennas and leaky cable systems. With few solder joints and an air dielectric, the loss has been minimized and reliability enhanced. Units also available with N and 7-16 connectors.

Impedance:	50Ω nominal
Power Rating:	500W avg, 3kW pk.
PIM, Passive IM:	-161 dBc (2 tones at +43 dBm)
Environment:	IP67, -35°C to +75°C RoHS compliant
Finish: Connectors:	4.3-10 (f), Triplate
Housing:	Passivated aluminum
Mounting:	Bracket & clip supplied

Model Number	No. of Ways	Frequency Band, MHz	Split Loss	Dissipative Loss, typ.	Amplitude Balance, typ.	Input VSWR	Power Rating Avg	Power Rating Peak	Weight, nom. lbs. (kg)
D2-85FE	2	694 - 2700	3 dB	0.10 dB	0.15dB	<1.15:1	500W	3 kW	0.60 (0.28)
D3-85FE	3	694 - 2700	4.8 dB	0.10 dB	0.25dB	<1.15:1	500W	3 kW	0.65 (0.30)
D4-85FE	4	694 - 2700	6 dB	0.10 dB	0.25dB	<1.25:1	500W	3 kW	0.70 (0.32)
D6-85FE	6	694 - 2700	7.8 dB	0.10 dB	0.25dB	<1.30:1	500W	3 kW	0.80 (0.36)

2, 3 & 4 way Outlines



Note: Specifications are subject to change without prior notification.

09JAN2018



6 way Divider, D6-85FE



Six Way Outline

