

- ◆ Standard Bandwidth for commercial wireless applications
- ◆ Guaranteed Low PIM
- ◆ Multiple Attenuation Values
- ◆ Low VSWR
- ◆ IP67 Rated
- ◆ RoHS Compliant
- ◆ 4.3-10 & N-type connector options

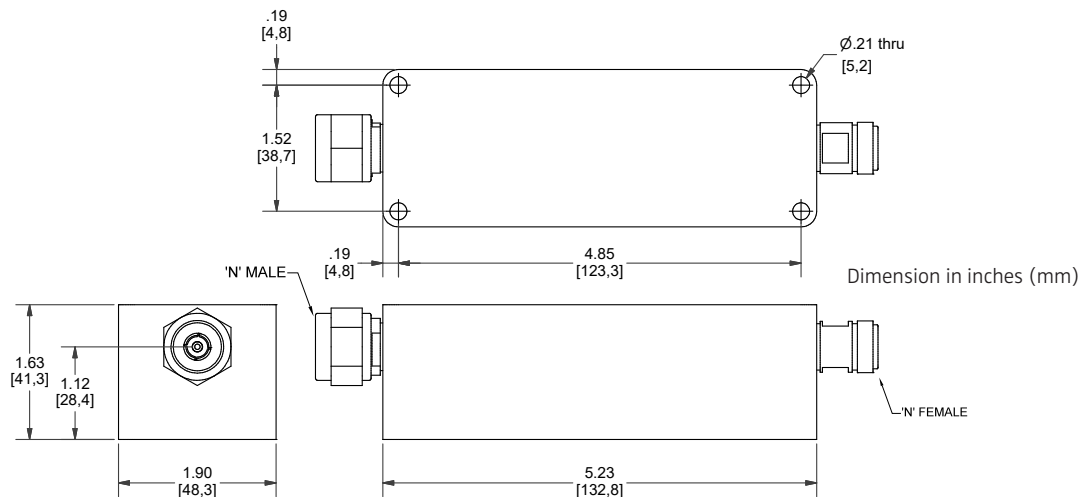


Microlab FY Series products are low PIM, unidirectional attenuators, using a multi section, quarter wave, stripline coupler with a low PIM cable load. It is designed for commercial applications covering all wireless bands from 617 to 2,700 MHz. This model couples off a portion of the input power to the output. This achieves a flat attenuation response over a wide frequency range.

The wide frequency range allows use with multiband antennas and leaky cable systems and in wireless base stations. With minimal solder joints and an air dielectric, the dissipative loss has been minimized and reliability enhanced.

Model/Connector	Attenuation	Accuracy	Power	Frequency Range:	VSWR: (all ports)	PIM (Intermod):	Impedance:	Environment:	Finish:	Connectors:	Dimensions:	Weight:		
N-Type	4.3-10	Value, dB	617-694										694-2700	Max
	FY-03E	3	-0.9/+0.5dB	±0.5dB	20W	<1.25:1 (617-2500 MHz)	<1.35:1 (2500-2700 MHz)	-147 dBc (-110 dBm) min.	50Ω nominal	-20° to +70°C, IP67	Passivated aluminum	Male-Female, Triplate	5.23x1.90x1.63 inches	1.39 lbs. (0.63kg)
FY-06N	FY-06E	6.5	+1.1/-0.8dB	±0.8dB	13W									
FY-10N	FY-10E	10.5	+1.3/-1.0dB	±1.0dB	10W									
FY-15N	FY-15E	15.5	+1.3/-1.0dB	±1.0dB	10W									
FY-20N	FY-20E	20.5	+1.3/-1.0dB	±1.0dB	10W									

Mechanical Outline



Note: Specifications are subject to change without prior notification.

04SEP2019