

- ◆ Low PIM 0-30dB attenuation of BTS signals
- ◆ 5W input power
- ◆ Standard 2RU EIA Rack (3-1/2")

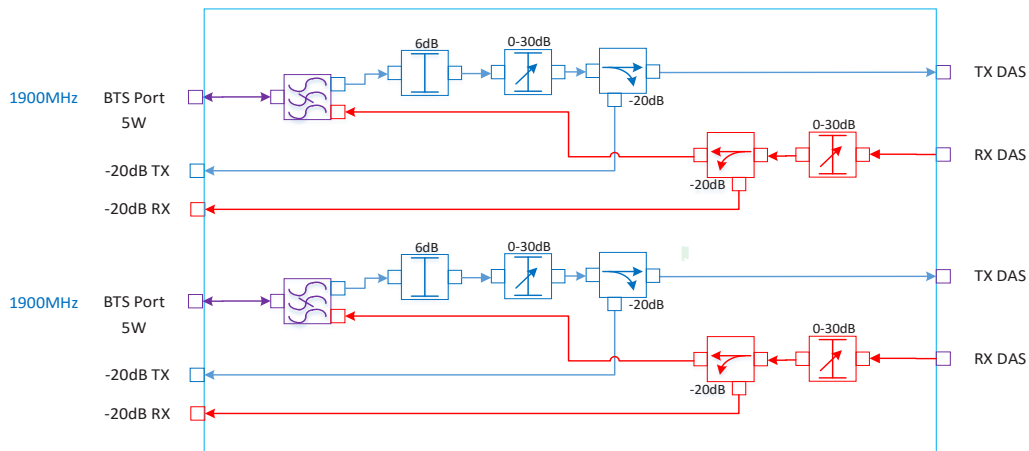


This DAS Carrier Conditioner DCC19-19-1DEFSEF3B, is designed to connect two channels of 1900Mhz PCS from two SISO BTS . Alternatively the two channels can be used pairwise for MIMO BTS applications. The inputs are then separated into Uplink and Downlink.

The unit is capable of 30dB variable attenuation in both the DL and UL path. The DL output range of the unit is -1.5 dBm to +28.5 dBm at 5 watts input. A -20dB monitor port is provided for both DL and UL paths.

Frequency Rx: 1850-1915MHz  
 Tx: 1930-1995MHz  
 Return Loss: >15 dB, all ports  
 Tx Power/band: 5W avg max  
 Insertion Loss: 8.5 dB attenuation DL path, nom.  
 3 dB attenuation UL path, nom.  
 Variable atten: 0-30dB both DL and UL paths  
 Rx/Tx Isolation: >70 dB  
 PIM (Intermod): <-158 dBc (measured in Rx Block using two +34 dBm tones in corresponding Tx Block)

Impedance: 50Ω nominal  
 Environment: 0°C to +55°C, IP64  
 Housing: Passivated aluminum  
 Connectors: 4.3-10 type (f), Triplate  
 Monitor port: SMA type (f)  
 Weight: 25 lbs. nom.



13DEC2016