

- ◆ 18 Duplex Inputs to 4 Duplex Outputs
- ◆ Guaranteed PIM
- ◆ High Reliability, RoHs

- ◆ -20 dB Monitor Ports
- ◆ Standard 5 RU EIA Rack (8.75")

This DAS Carrier Conditioner DCC601-B08 is designed to interface eighteen duplexed radio inputs to four corresponding duplex antenna feeds within the same tray. Each band, 700MHz, 850 MHz, PCS, AWS-1/-3, WCS, and 2600 MHz is fully isolated from each other.

Multi band combiners are used to combine each Tx/Rx path. A hybrid matrix is then used to combine multiple signals. Two of the antenna port signals are monitored through separate -20 dB taper components.

Unused output ports must be terminated with a Low PIM load capable of handling no less than 25% of the maximum composite input power.

All radio and antenna interfaces use 7-16 DIN connectors. Monitor ports are provided as SMA connectors. All connectors are provided on the front panel for easy access.

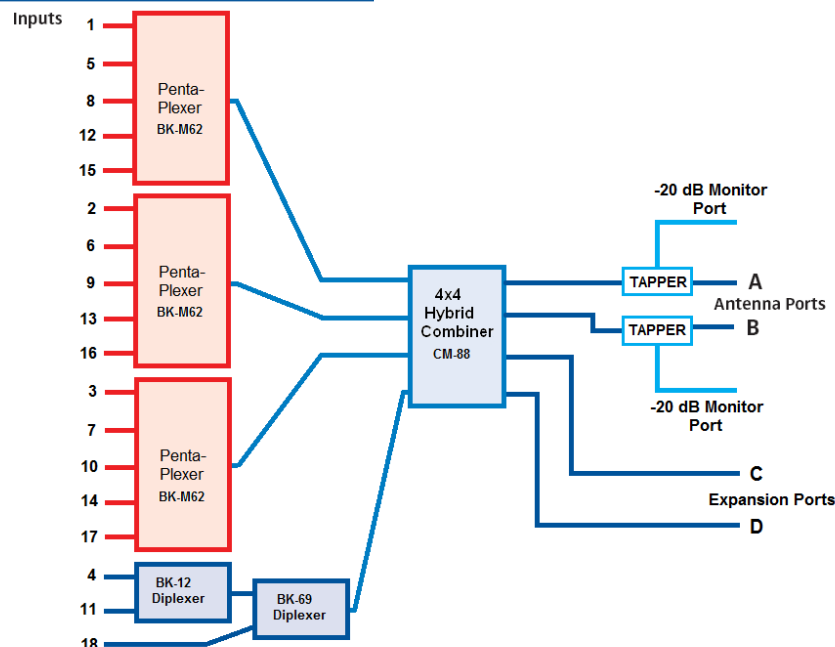
| Port        | Frequency (MHz)     | Insertion Loss, Max (dB)<br>(to Ports A-B-C-D) |
|-------------|---------------------|--|
| Input 1-3   | 698-787             | 6.6±1.8  |
| Input 4     | 698-960             | 7.0±1.8  |
| Input 5-7   | 817-896             | 6.8±1.2  |
| Input 8-10  | 1850-2000           | 7.2±1.2  |
| Input 11    | 1695-2200           | 7.5±1.2  |
| Input 12-14 | 1695-1780/2110-2180 | 7.2±1.2  |
| Input 15-17 | 2305-2360           | 7.4±1.2  |
| Input 18    | 2300-2700           | 7.6±1.6  |

### Specifications

|                        |   |
|------------------------|---|
| Input Isolation:       | 22 dB min., In band<br>50 dB min., between band |
| Return Loss:           | > 14 dB, input ports                            |
| PIM (Intermod):        | <-153 dBc, 2 x 20W                              |
| Monitor:               | -20 dB  |
| Impedance:             | 50Ω nominal                                     |
| Environment:           | 0°C to +55°C, Indoor                            |
| Housing:               | 5 RU, Passivated aluminum                       |
| Connectors: Radio/ANT: | 7-16 DIN female, Triplate                       |
| Monitor:               | SMA female, Triplate                            |
| Weight:                | 55.5 lb (25.2 kg) nom.                          |

### Groupings for Maximum Composite Power, CW Average

| Port Grouping          | Input Power, Max/<br>Port (W) | Composite Power for<br>Grouping, Max (W) |
|------------------------|-------------------------------|--|
| Input 1, 5, 8, 12, 15  | 100                           | 150                                      |
| Input 2, 6, 9, 13, 16  | 100                           | 150                                      |
| Input 3, 7, 10, 14, 17 | 100                           | 150                                      |
| Input 4, 11, 18        | 120 (4 & 11), 150 (18)        | 150                                      |
| Total Composite Power  |                               | 600                                      |



26SEP2016