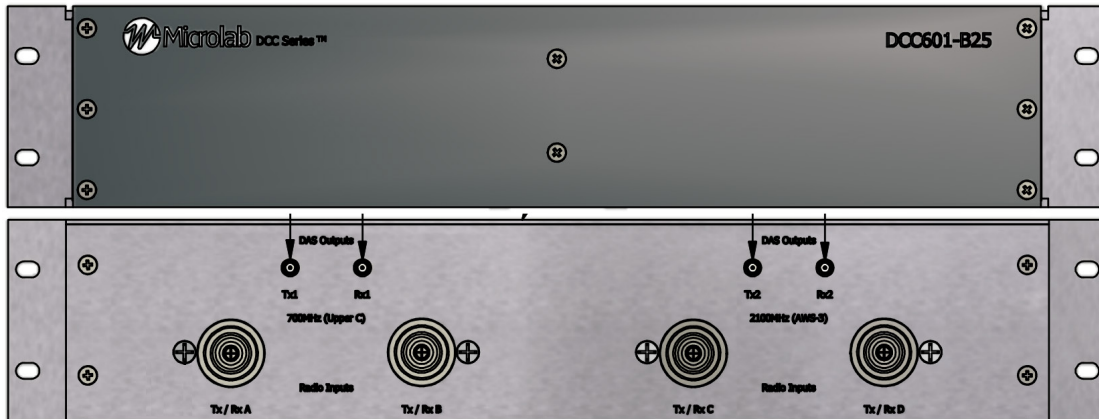


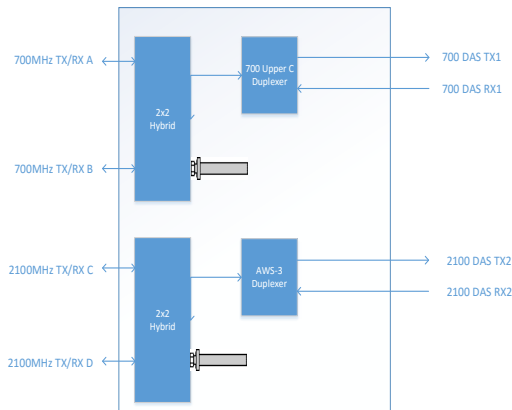
DCC Series™

- ◆ Dual 2-channel combiners for 700MHz Upper C and 2100MHz AWS-1 in one tray
- ◆ Provides one pair of Simplex Feeds per Band
- ◆ High Reliability, RoHS
- ◆ Low Loss, Guaranteed PIM
- ◆ Standard 2RU EIA Rack (3.5")



These DAS Conditioning Trays have been designed to meet the neutral host needs of in-building systems, with low passive intermodulation (PIM). The tray provides a 2-channel combiner with simplex outputs for both 700MHz and 2100MHz bands in a single tray to support DAS Head-End applications.

Model	Type	Connectors	PIM*
DCC601-B25	Indoor	Input: 7/16 DIN (f) Output: SMA(f)	< -155 dBc
* Guaranteed PIM (Intermod) tested using 2 tones at +37 dBm			



Frequency Rx:	776-787 MHz & 1695-1780 MHz
Tx:	746-757 MHz & 2110-2180 MHz
Return Loss:	>15dB, all ports
Isolation:	>27dB (700 MHz Band) >22dB (AWS Band)
Tx Power/port:	10W avg max
Insertion Loss:	5dB attenuation DL path, nom. 5dB attenuation, UL path, nom.
PIM (intermod):	< -155 dBc (measured in Rx Block using two +37dBm tones in the corresponding Tx Block)
Impedance:	50Ω nominal
Environment:	0°C to +55°C, IP64 (Indoor)
Housing:	Passivated aluminum
Connectors:	7/16 DIN(f) Triplate SMA (f) Triplate
Weight:	18 lb (8.2 kg)

Note: Specifications are subject to change without prior notification.

19SEP2016