

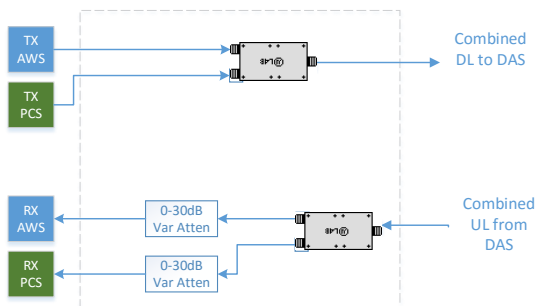
Preliminary Specification

DCC Series™

- ◆ Simplex combiner for 1900MHz PCS and 2100MHz AWS 1-3 in one tray
- ◆ Low Loss
- ◆ Variable Attenuation in RX path
- ◆ Standard 3RU EIA Rack (5.25")
- ◆ High Reliability, RoHS

These DAS Conditioning Trays have been designed to meet the neutral host needs of in-building systems. The tray provides a simplex combining solution for 1900MHz and 2100MHz bands. Max Tx path input is 5W (+37dBm). Variable attenuators provide 0-30dB range to adjust RX path losses in order to optimize link budget and DAS noise rise

Model	Type	Connectors
DCC601-B32	Indoor	4.3-10 (f)



Specifications:

Frequency: 1850-2000MHz (PCS + G + H)
1695-1780 & 2110-2180 (AWS 1-3)

Return Loss: >15dB, all ports

Isolation: >50dB

Tx Power/port: 5W avg max

Insertion Loss: 0.8dB DL path, nom.
1.8 - 31.8dB UL path

Impedance: 50Ω nominal

Environment: 0°C to +55°C, IP64 (Indoor)

Housing: Passivated aluminum

Connectors: 4.3-10 (f) Triplate

Weight: TBD

Note: Specifications are subject to change without prior notification.

14 Sep 2016