

- ◆ Low PIM 0-30dB attenuation of BTS signals
- ◆ 60W input power. Supports AWS1-3
- ◆ 2x1 Combiner with conditioning
- ◆ Standard 2RU EIA Rack (3-1/2")

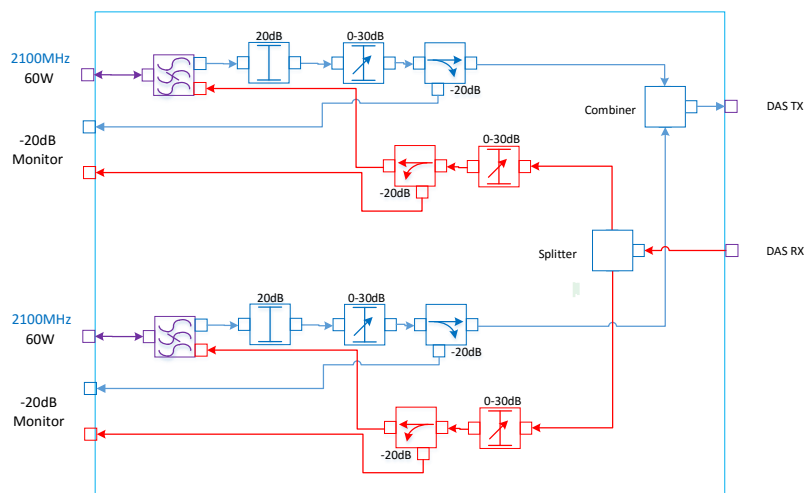


This DAS Carrier Conditioner DCC601-B42, is designed to condition and combine two channels of 2100MHz AWS1-3 SISO BTS signals. The inputs are separated into Uplink and Downlink, independently conditioned, and finally combined into a simplex output to feed into a DAS head end.

The unit is capable of 30dB variable attenuation in both the DL and UL path. The DL output range of the unit (per channel) is -8.2dBm to +21.8dBm at 60 watt input (47.8 dBm). A -20dB monitor port is provided for both DL and UL paths.

Specifications

Frequency:	1695-1780 / 2110-2180 MHz
Isolation:	> 60 dB (TX-RX) > 60 dB (input TX A-B) > 27dB (input RX A-B)
Return Loss:	>15 dB, all ports
Tx Power/band:	60W avg max
Insertion Loss:	26 dB attenuation DL path, nom. 5.4 dB attenuation UL path, nom.
Variable atten:	0-30dB both DL and UL paths
PIM (Intermod):	<-15.3 dBc (measured in Rx Block using two +43 dBm tones in corresponding Tx Block)
Impedance:	50Ω nominal
Environment:	0°C to +55°C, IP64
Housing:	Passivated aluminum
Connectors:	4.3-10 (f), Triplate
Monitor port:	SMA type (f)
Weight:	25 lbs



11May2017