

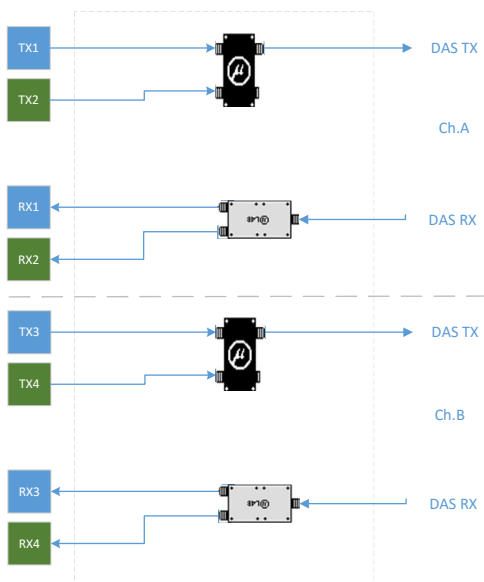
## DCC Series™

- ◆ Simplex combiner for Broadband Applications: 694MHz-2700MHz
- ◆ Low Loss, Dual-Channel design
- ◆ 4.3-10 Interface
- ◆ Standard 1RU EIA Rack (1.75")
- ◆ High Reliability, RoHS



These DAS Conditioning Trays have been designed to meet the neutral host needs of in-building systems, with low passive intermodulation (PIM). The tray provides a simplex combining solution for broadband applications. Max Tx path input is +20dBm.

Model	Type	Connectors
DCC601-B44	Indoor	4.3-10 (f)



Specifications	
Frequency:	694-2700MHz
Return Loss:	>15dB (TX) >12dB (RX)
TX Isolation:	>22dB
Tx Power/port:	+20dBm avg max
Insertion Loss:	3.8dB, nom. (TX) 4.1dB, nom. (RX)
Impedance:	50Ω nominal
Environment:	0°C to +55°C, IP64 (Indoor)
Housing:	Passivated aluminum
Connectors:	4.3-10 (f) Triplate
Weight:	13 lbs

Note: Specifications are subject to change without prior notification.

11May2017