

DCC Series™

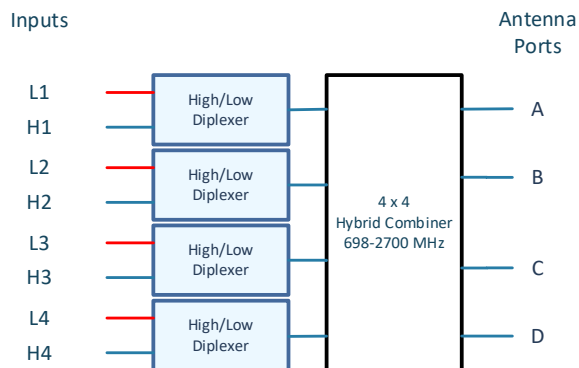
- ◆ Input bands for Cellular & LTE: 700/800/900 & 1800/1900/UMTS to 2700 MHz
- ◆ 8 Inputs to 4 Combined Outputs
- ◆ Guaranteed Low PIM
- ◆ High Reliability, RoHS
- ◆ Wall Mount Weatherized Unit



These broadband RF Combiners have been designed to meet the neutral host needs of in-building systems, with low passive intermodulation (PIM). The system combines up to 8 wireless carriers in the operating bands to 4 multiple antenna feeds or distribution cables. One quarter of each input appears on each of the four outputs, with a dissipated path loss of less than 0.5 dB.

Model	Type	Connectors	PIM*
DCC690DW	Outdoor	7-16 (f) In/Out	<-153 dBc <-110 dBm
DCC690DNW	Outdoor	7-16 (f) In N (f) Out	<-153 dBc <-110 dBm

* Guaranteed PIM (Intermod) tested using 2 tones at +43 dBm

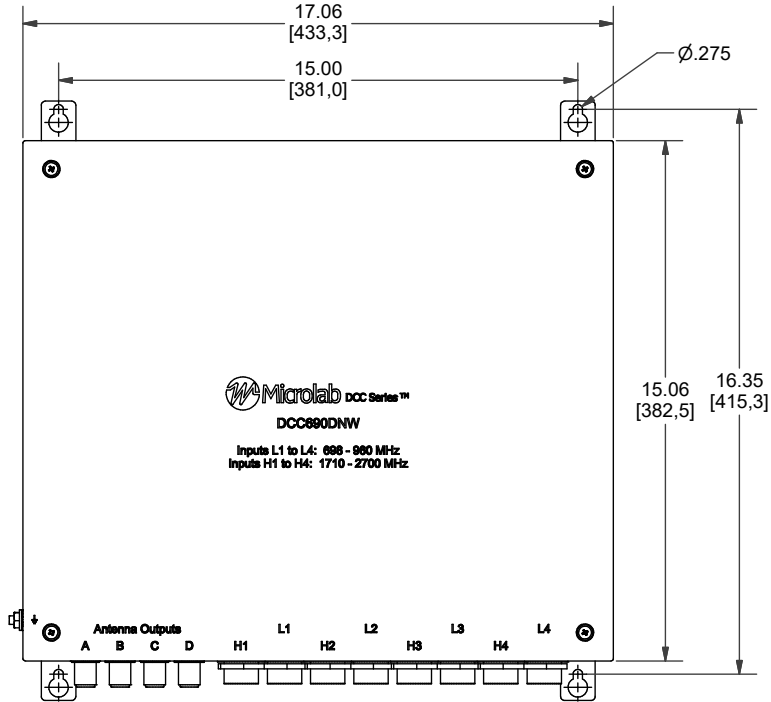


Inputs L1 to L4:	698 - 960 MHz, Low Band
Inputs H1 to H4:	1710 - 2700 MHz, High Band
Input Isolation, dB:	Within Bands: 24 typ., 22 dB min. Between Bands: >55 dB
Input Return Loss:	>15.6 dB (698-960 MHz) >12.7 dB (1710-2700 MHz)
Coupling (In-Out):	6.3±1.9dB (698-800 MHz), L paths 6.6±1.2dB (800-960 MHz), L paths 7.0±1.2dB (1710-2500 MHz), H paths 7.0±1.4dB (2500-2700 MHz), H paths
Output Return Loss:	>15.6dB
Power per input:	75W avg. max, 3 kW pk,
Group Delay:	9 ns typ
Impedance:	50Ω nominal
Environment:	-15°C to +65°C, NEMA-4/IP65
Finish: Housing:	RoHS aluminum
Connectors:	Triplate
Weight:	33 lbs (15 kg) nominal

Note: Specifications are subject to change without prior notification.

02MAY019

Wall mount weatherized outdoor model DCC690DNW



Dimension in inches(mm)

