

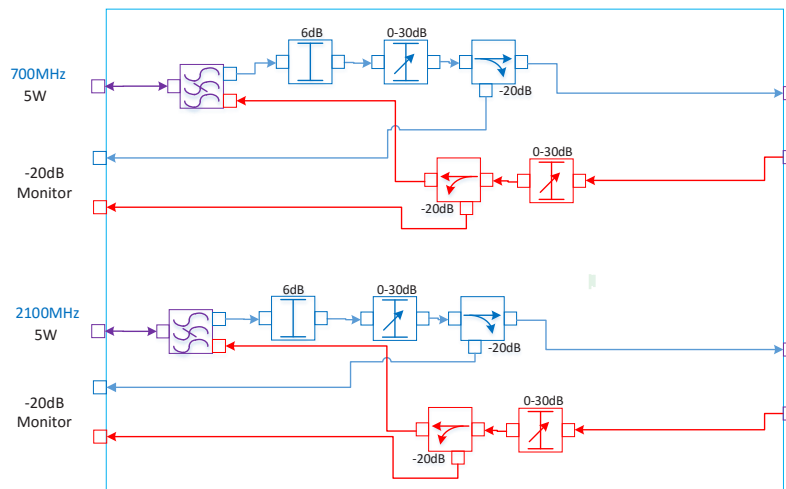
- ◆ Low PIM 0-30dB attenuation of BTS signals
- ◆ 5W input power
- ◆ Supports 700MHz Upper C and AWS 1-3
- ◆ Standard 2RU EIA Rack (3-1/2")



This DAS Carrier Conditioner DCC7UC-21-1DEFSEF3B, is designed to connect to both a 700MHz Upper-C SISO BTS and an 2100MHz AWS1-3 SISO BTS. The inputs are then separated into Uplink and Downlink.

The unit is capable of 30dB variable attenuation in both the DL and UL path. The DL output range of the unit is -1dBm to +29dBm at 5 watt input. A -20dB monitor port is provided for both DL and UL paths.

Frequency 1:	746-757 / 776-787MHz (SISO)
Frequency 2:	1695-1780 / 2110-2180 MHz (SISO)
Tx/Rx Isolation:	55 dB min.
Return Loss:	>15 dB, all ports
Tx Power/band:	5W avg max
Insertion Loss:	8 dB attenuation DL path, nom. 3dB attenuation UL path, nom.
Variable atten:	0-30dB both DL and UL paths
PIM (Intermod):	<-153 dBc (measured in Rx Block using two +34 dBm tones in corresponding Tx Block)
Impedance:	50Ω nominal
Environment:	0°C to +55°C, IP64
Housing:	Passivated aluminum
Connectors:	4.3-10 (f), Triplate
Monitor port:	SMA type (f)
Weight:	21 lb (9.5 kg) nom.



04OCT2016