

**Preliminary Specification**

- ◆ Low PIM 0-30dB attenuation of BTS signals
- ◆ 60W input power
- ◆ Standard 2RU EIA Rack (3-1/2")

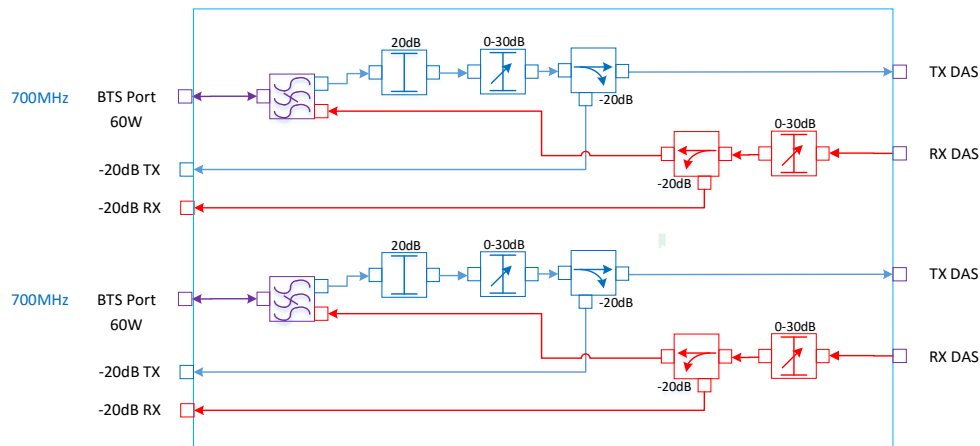


This DAS Carrier Conditioner DCC7UC-7UC-1DEFSEF3E, is designed to connect two channels of 700MHz Upper-C from two SISO BTS . Alternatively the two channels can be used pairwise for MIMO BTS applications. The inputs are then separated into Uplink and Downlink.

The unit is capable of 30dB variable attenuation in both the DL and UL path. The DL output range of the unit is -4 dBm to +26 dBm at 60 watts input. A -20dB monitor port is provided for both DL and UL paths.

**Preliminary Specifications**

|                 |  |
|-----------------|--|
| Frequency 1:    | 746-757 / 776-787MHz (SISO)  |
| Frequency 2:    | 746-757 / 776-787MHz (SISO)  |
| Return Loss:    | >15 dB, all ports  |
| Tx Power/band:  | 60W avg max  |
| Insertion Loss: | 22 dB attenuation DL path, nom.<br>3 dB attenuation UL path, nom.                  |
| Variable atten: | 0-30dB both DL and UL paths  |
| PIM (Intermod): | <-153 dBc (measured in Rx Block using two +43 dBm tones in corresponding Tx Block) |
| Impedance:      | 50Ω nominal  |
| Environment:    | 0°C to +55°C, IP64   |
| Housing:        | Passivated aluminum  |
| Connectors:     | 4.3-10 type (f), Triplate  |
| Monitor port:   | SMA type (f)   |
| Weight:         | 30 lbs. nom.   |



03Oct2016