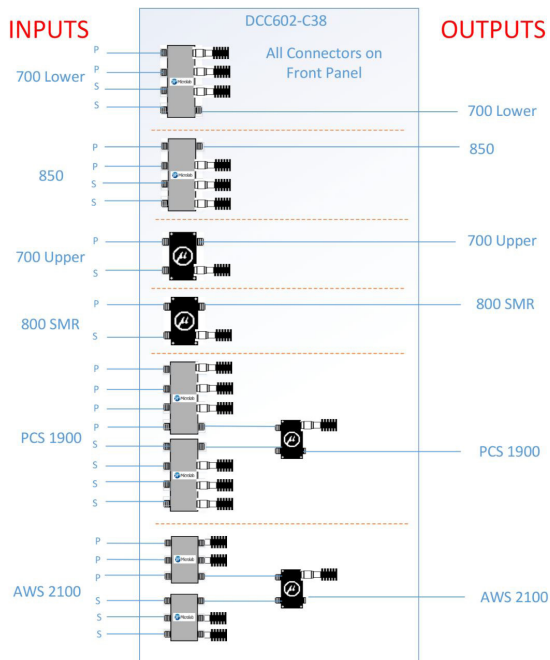


- ◆ 6 RU Hybrid 26x6 Combiner
- ◆ 700-2200 MHz frequency range
- ◆ 2W per input power rating
- ◆ Low RF Dissipative Loss
- ◆ 4.3-10 Connectors
- ◆ RoHS Compliant



Microlab DCC602-C38 is a hybrid point of interface designed to enable combining 26 inputs to 6 outputs. The 19" 6 RU rack mount assembly integrates multiple hybrid couplers and combiners with low PIM terminated ports for combining. The design is guaranteed low PIM and ideal for D-RAN deployments. Network designers can deploy it for general combining and splitting use case..

### Schematic



|                    |   |
|--------------------|---|
| Frequency:         | 698-2200 MHz  |
| 700 Lower:         | 698-746 MHz   |
| 700 Upper:         | 746-806 MHz   |
| 850 & 850 SMR:     | 807-894 MHz   |
| PCS:               | 1850-2000 MHz   |
| AWS:               | 1695-2200 MHz   |
| Insertion Loss:    |   |
| 700 Lower & 850:   | 6.5 dB typ. (8 ports)   |
| 700 Upper:         | 3.3 dB typ. (2 ports)   |
| 850 SMR:           | 3.3 dB typ. (2 ports)   |
| PCS:               | 10 dB typ. (8 ports)  |
| AWS:               | 8.6 dB typ. (6 ports)   |
| Isolation:         | 20 dB typ. (Same-band)  |
| Input Return Loss: | 18 dB min. All ports except AWS                                       |
| AWS:               | 16 dB min.  |
| Impedance:         | 50Ω nom.  |
| PIM:               | <-153 dBc (-123 dBm)<br>(Test with 2x 1900MHz +30dBm tones @ ambient) |
| Power Rating:      | 2 W avg.  |
| Connectors:        | 4.3-10 (f), Trimetal Albaloy  |
| Housing:           | 6RU Aluminum Chassis  |
| Mounting:          | 2-post rack mount   |
| Temperature:       | 0°C to +50°C, Indoor  |