

- ◆ Point of Interface to Combine 4-Bands (700/850/PCS/AWS) and condition with simplex outputs
- ◆ 2 Watt per Input
- ◆ Guaranteed Low PIM
- ◆ RoHS compliant



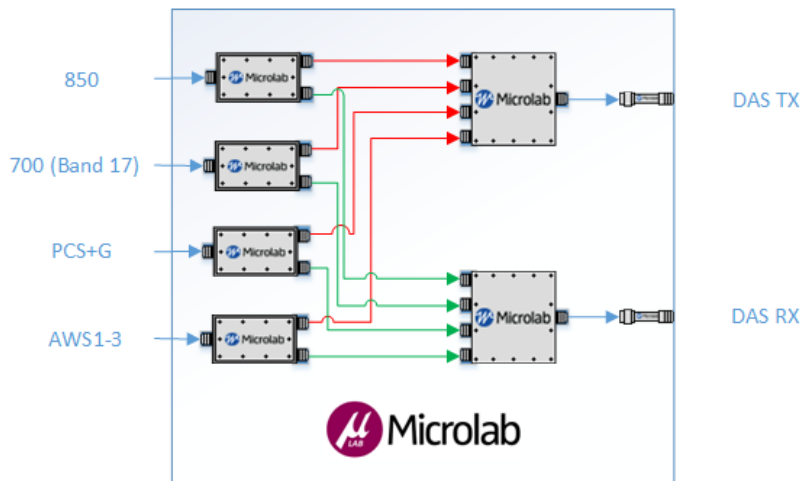
Microlab DCC602-C53 has been designed to combine and condition four duplexed bands (700/850/PCS/AWS) onto simplex outputs. This Assembly provides an aesthetic means of intergrating DAS deployments.

It feaures a rackmount enclosure with all I/O easily accessible on the front panel.

Assembly Type: 4RU Rack mount enclosure
PIM: -153 dBC min.
(Test with 2 tones @ +30 dBm)
Power: 2W avg., 40W peak
Impedance: 50Ω nom.
Connectors: 4.3-10(f) Trimetal Albaloy
Temperature: 0°C to +55°C
Mounting: 4RU, 19" EIA Rack
Dimensions: 19.0 x 24 x 6.97 inches
[482.6x609.6x177 mm]

| Model No. | Frequency (MHz) | Nom. Insertion Loss (dB) | Isolation (dB) | Return Loss (dB) | Weight nom. |
|------------|---------------------|--------------------------|----------------|------------------|----------------|
| DCC602-C53 | 704-716/734-746 | 11.5 | >50 | >15 | 51lbs (23.2kg) |
| | 824-849/869-894 | 11.5 | | | |
| | 1850-1915/1930-1995 | 12 | | | |
| | 1695-1780/2110-2180 | 11.5 | | | |

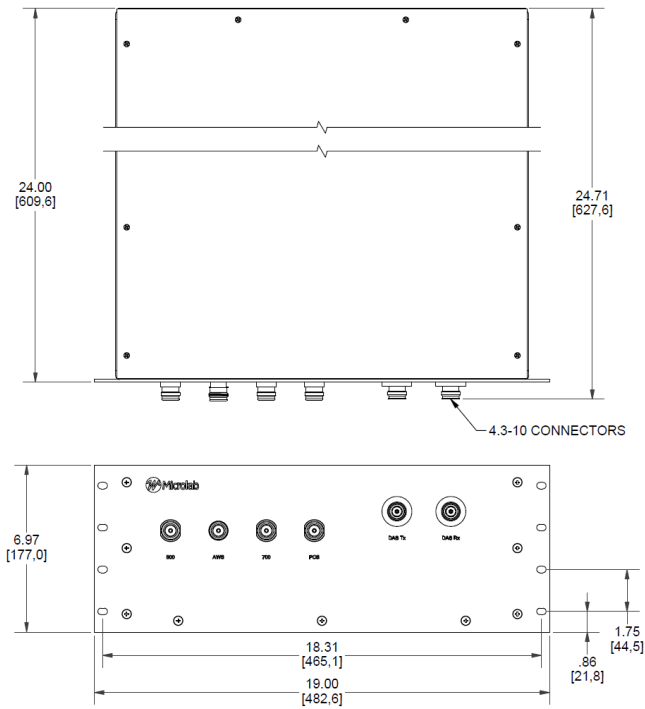
Block Diagram



Note: Specifications are subject to change without prior notification.

6Jun2022

Outline



Dimensions in inches[mm]

Note: Specifications are subject to change without prior notification.

Microlab, A Division of RF Industries, 25 Eastmans Road, Parsippany, NJ 07054

Tel: (862) 328-1101 • sales@microlabtech.com • www.microlabtech.com