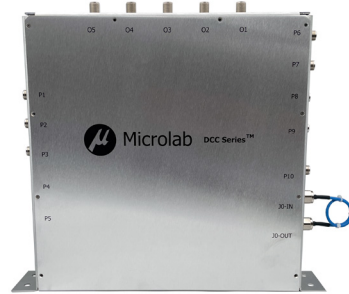


- ◆ 10 x 5 Configurable Combiner Wall or Floor mount
- ◆ DC-5925 MHz Wide-Band frequency range
- ◆ 50W / 100W per input power rating
- ◆ Wall and Floor Mountable
- ◆ N-Type Connectors
- ◆ RoHS Compliant



Microlab DCC602-C61 is a wall and floor mountable 10x5 Configurable Combiner box. This combiner is designed to establish a demarcation point between 2 Channels of sources with frequencies ranging from DC to 5925MHz, enabling an organized method for cabling to other equipment such as a DAS headend or DRAN network.

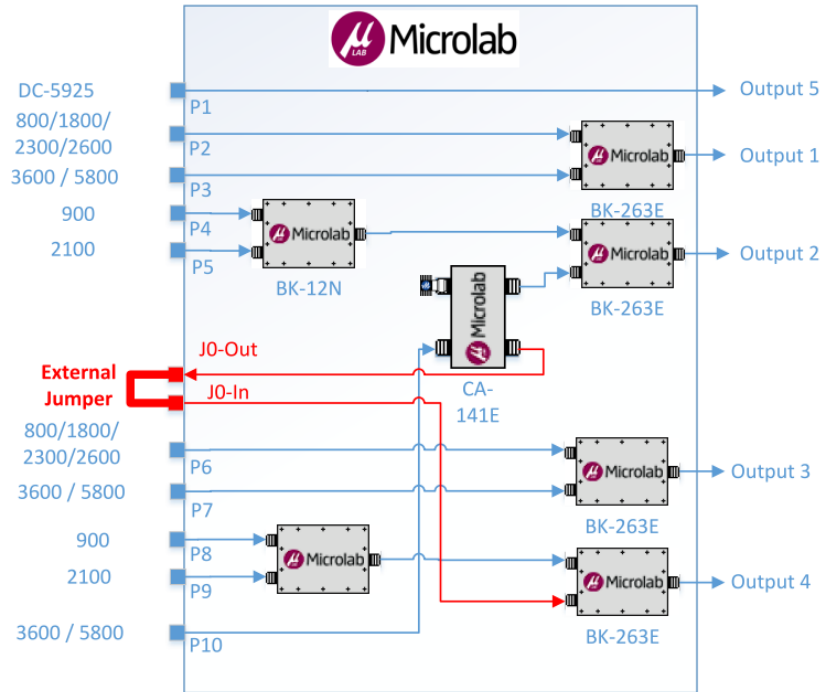
Network designers can deploy it for other general combining and splitting use cases.

Frequency Range:	See Below Table
Input Power:	See Below Table
Insertion Loss:	See Below Table
Return Loss:	> 15.0dB typ. DC to 5GHz > 12.7dB typ. 5 to 5.925GHz
Isolation:	>50dB (P8-P9, P4-P5, P2-P3, P6-P7&P10, P4-P5, P8-P9)
Impedance:	50Ω nominal
Connectors:	N-Type (f)
Housing:	Floor / Wall Mount Aluminum Enclosure
Temperature:	-10°C to +55°C, indoor
Dimensions:	(15 x 15.20 x 3.21) inches
Weight:	18 lbs.

Ports	Frequency Range	Input Power per port	Insertion Loss (nom)
P1	DC-5925 MHz	100W	0.5dB (DC-5000MHz) 0.7dB (5000-5925MHz)
P3, P7, P10	3400-3800 MHz 5150-5925 MHz	50W	1.5dB (P3, P7) 5.3dB (P10, 3400-3800MHz) 6.0dB (P10, 5150-5925MHz)
P2, P6	791-862 MHz 1710-1880 / 1920-2170 MHz 2300-2400 MHz	100W	1.1dB
P4, P8	880-960 MHz	100W	1.0dB
P5, P9	1920-2170 MHz	100W	1.2dB

18JUL2024

Plumbing Diagram



Mechanical Outline

Dimensions in inches [mm]

