

Modular Filter Combiners

The MCC100-x01 filter modules are initially offered in 4 popular multi-band combinations. See Table below. Low band ports, where applicable, support down to 617MHz. AWS ports support full AWS-1 and AWS-3 Bands.

Other Band combinations can be added and are available upon request.

The MCC100 is a 6RU rack-mount enclosure that accommodates up to (8) filter combiner modules. In a 4-operator scenario, these could be considered 2-sector SISO or 1-sector 2x2 MIMO.

In cases where there are only two operators, a single MCC100 subrack can house all filter combiners for an entire 4x4 MIMO application.

All Radio inputs are accessible from the front. Rear interfaces are for inter-connection with the wideband hybrid combiner.

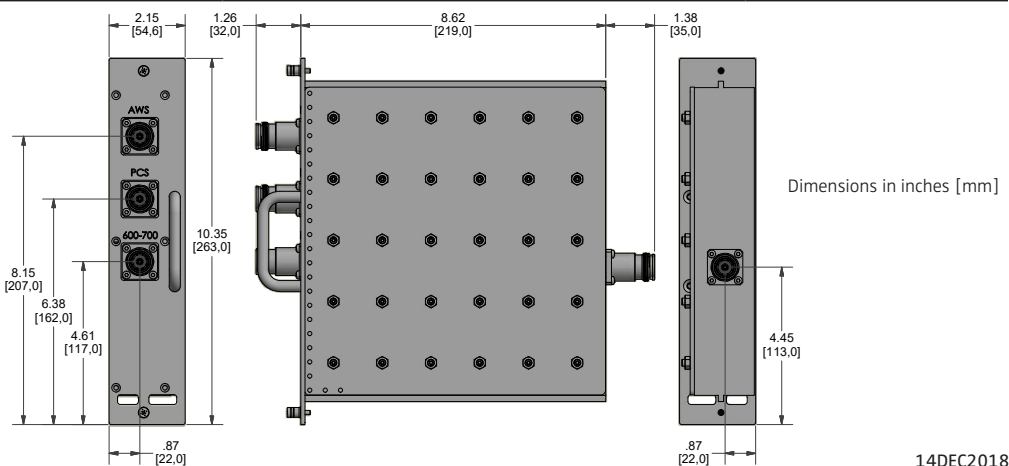
Modular Filter Combiners can be added to the Subrack for carrier/operator adds or replaced as new service bands come to market.

For those slots which are unoccupied, a blanking panel is utilized.



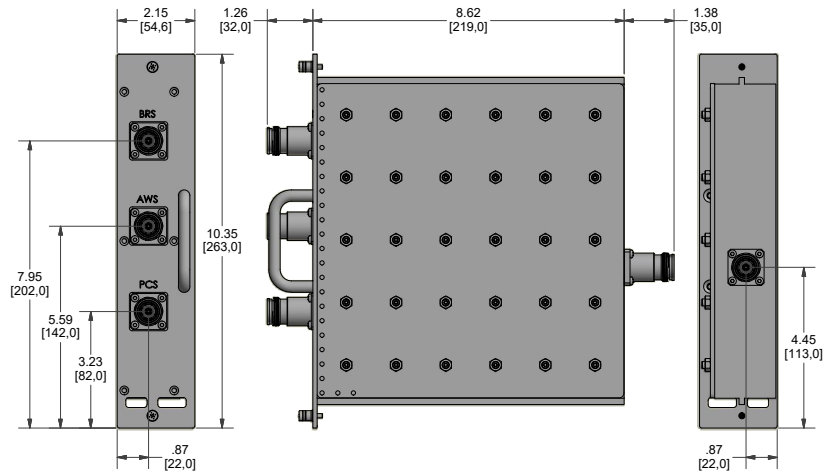
Specification	MCC100-501	MCC100-401	MCC100-301	MCC100-302
Card Type	Pentaplexer	Quadraplexer	Triplexer	Triplexer
Frequency (MHz)	600-700: 617-798 850: 817-894 PCS: 1850-2000 AWS: 1695-1780 & 2110-2200 WCS: 2305-2360	600-700: 617-798 850: 817-894 PCS: 1850-2000 AWS: 1695-1780 & 2110-2200	600-700: 617-798 PCS: 1850-2000 AWS: 1695-1780 & 2110-2200	PCS: 1850-2000 AWS: 1695-1780 & 2110-2200 BRS: 2496-2700
Insertion Loss	<0.4 dB			
Isolation	>40dB			
Return Loss	>20 dB			
Impedance	50Ω			
PIM	Intermodulation 2x43dBm tones		-160 dBc (-117 dBm)	
Power/Input	RMS		40W	
Weight, lb (kg)	9.9 (4.5)	8.8 (4.0)	7.1 (3.2)	7.1 (3.2)
Group Delay	600-700 & 850: 40ns typ. PCS,AWS & WCS: 20ns typ.	600-700 & 850: 40ns typ. PCS & AWS: 20ns typ	600-700: 40ns typ. PCS & AWS: 20ns typ.	PCS: 25ns typ. AWS: 20ns typ. BRS: 7ns typ.
Connector	4.3-10 (f), long-neck			
Environment	-25°C to +55°C			
Ingress	Indoor, IP64			
Dimensions	263mm x 54.6mm x 219mm (excluding connectors)			

MCC100-301 Outline

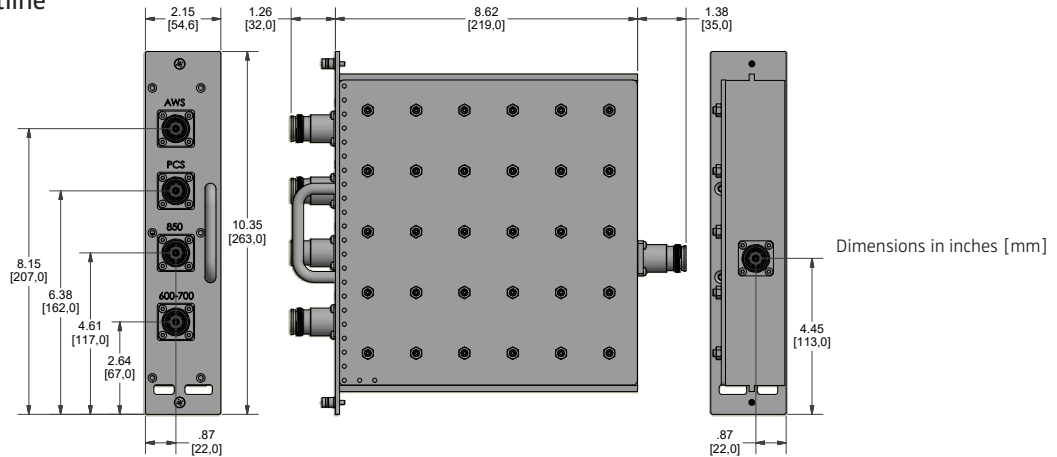


14DEC2018

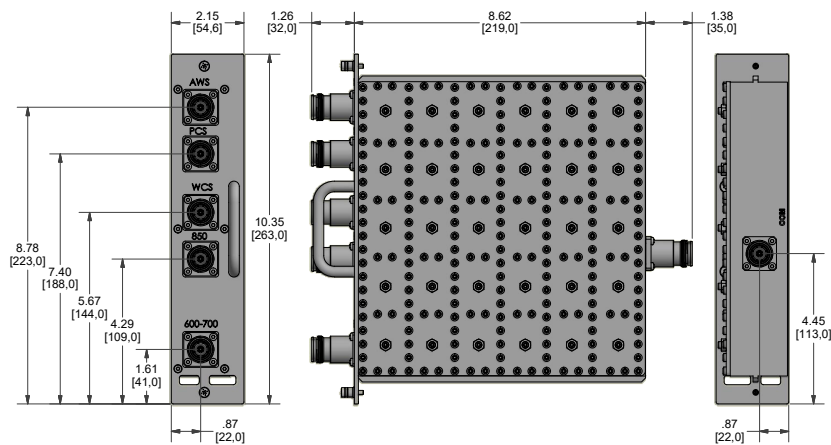
MCC100-302 Outline



MCC100-401 Outline



MCC100-501 Outline



MCC100 6RU Rack mount enclosure



- Each Crossband Card includes: one (1) 1/4" Low PIM Jumper Cable with 4.3-10 (m-m) connector.
- See **MCC100-A03**, blank filter faceplate for unused slots in **MCC100** Subrack

Outline Drawing for Rackmount

