

Preliminary Specifications

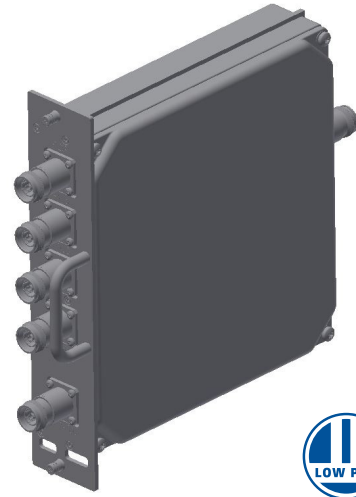
The MCC200-x01 filter modules are in 4 popular multiband combinations. These filter modules are IP67 rated. Low band ports, where applicable, support down to 617 MHz. AWS ports support full AWS-1 and AWS-3 Bands. Other Band combinations can be added and are available upon request.

The MCC200 is a 6RU rack-mount enclosure that accommodates up to (8) filter combiner modules. In a 4-operator scenario, these could be considered 2-sector SISO or 1-sector 2x2 MIMO. In cases where there are only two operators, a single MCC100 subrack can house all filter combiners for an entire 4x4 MIMO application.

All Radio inputs are accessible from the front. Rear interfaces are for interconnection with the wide band hybrid combiner.

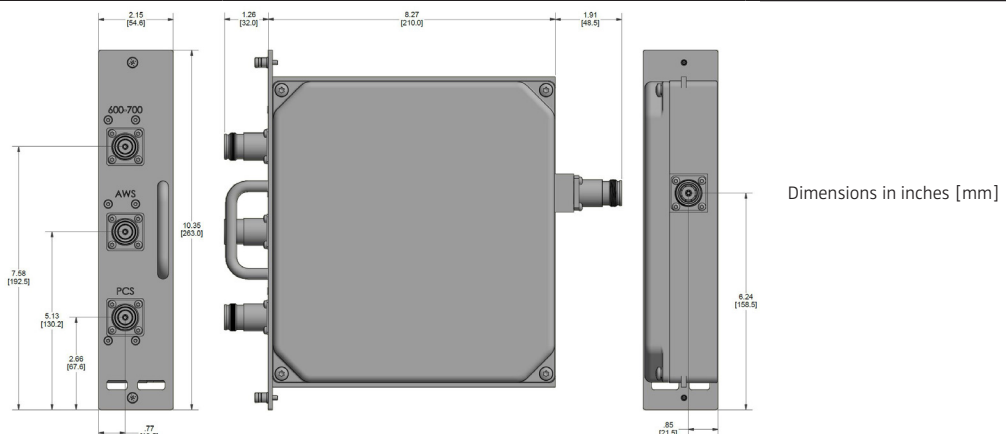
Modular Filter Combiners can be added to the Subrack for carrier/operator adds or replaced as new service bands come to market.

For those slots which are unoccupied, a blanking panel MCC200-A03 can be utilized.



Specification	MCC200-501	MCC200-401	MCC200-301	MCC200-302
Card Type	Pentaplexer	Quadraplexer	Triplexer	Triplexer
Frequency (MHz)	600-700: 617-798 850: 817-894 PCS: 1850-2000 AWS: 1695-1780 & 2110-2200 WCS: 2305-2360	600-700: 617-798 850: 817-894 PCS: 1850-2000 AWS: 1695-1780 & 2110-2200	600-700: 617-798 PCS: 1850-2000 AWS: 1695-1780 & 2110-2200	PCS: 1850-2000 AWS: 1695-1780 & 2110-2200 BRS: 2496-2700
Insertion Loss	<0.5 dB		<0.4 dB	
Isolation	>40 dB			
Return Loss	>20 dB			
Impedance	50Ω			
PIM	Intermodulation 2x43dBm tones		-160 dBc (-117 dBm)	
Power/Input	RMS		40W	
Weight, lb (kg)	TBD	TBD	TBD	TBD
Connector	4.3-10 (f), long-neck			
Environment	-40°C to +65°C			
Ingress Protection	IP67			
Dimensions	10.35x11.44x2.15 in [263x290.5x54.6 mm]			

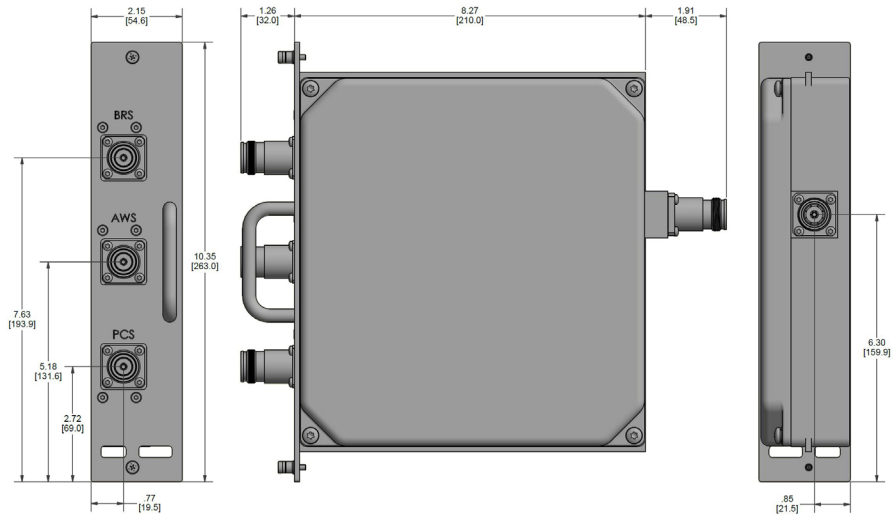
MCC200-301 Outline



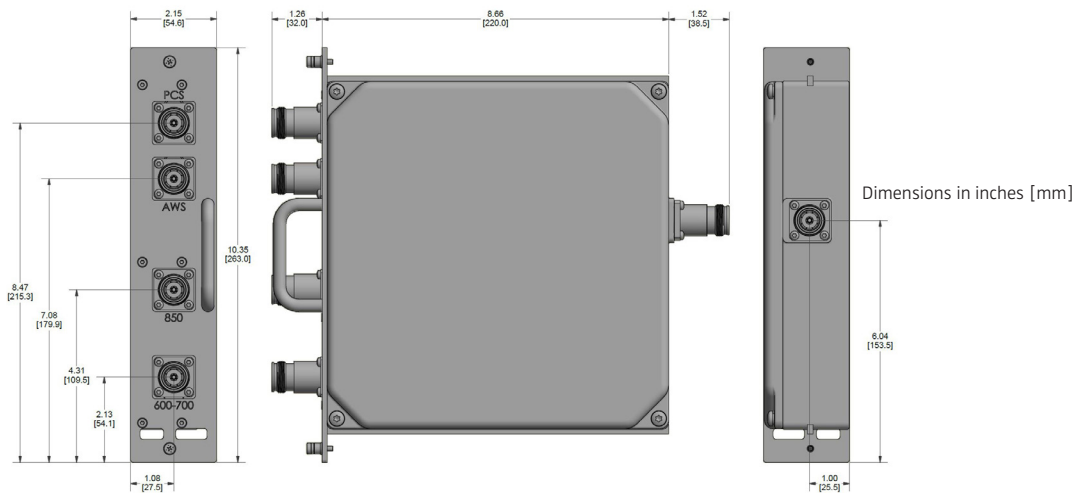
Note: Specifications are subject to change without prior notification.

14NOV2018

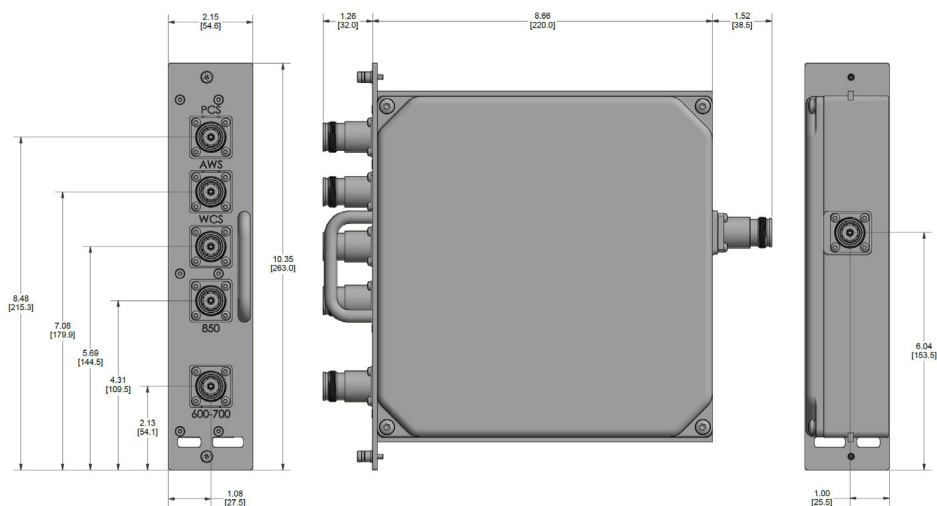
MCC200-302 Outline



MCC200-401 Outline

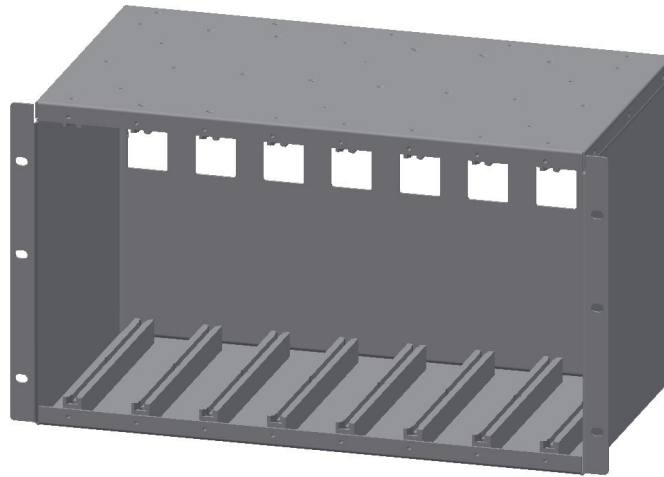


MCC200-501 Outline



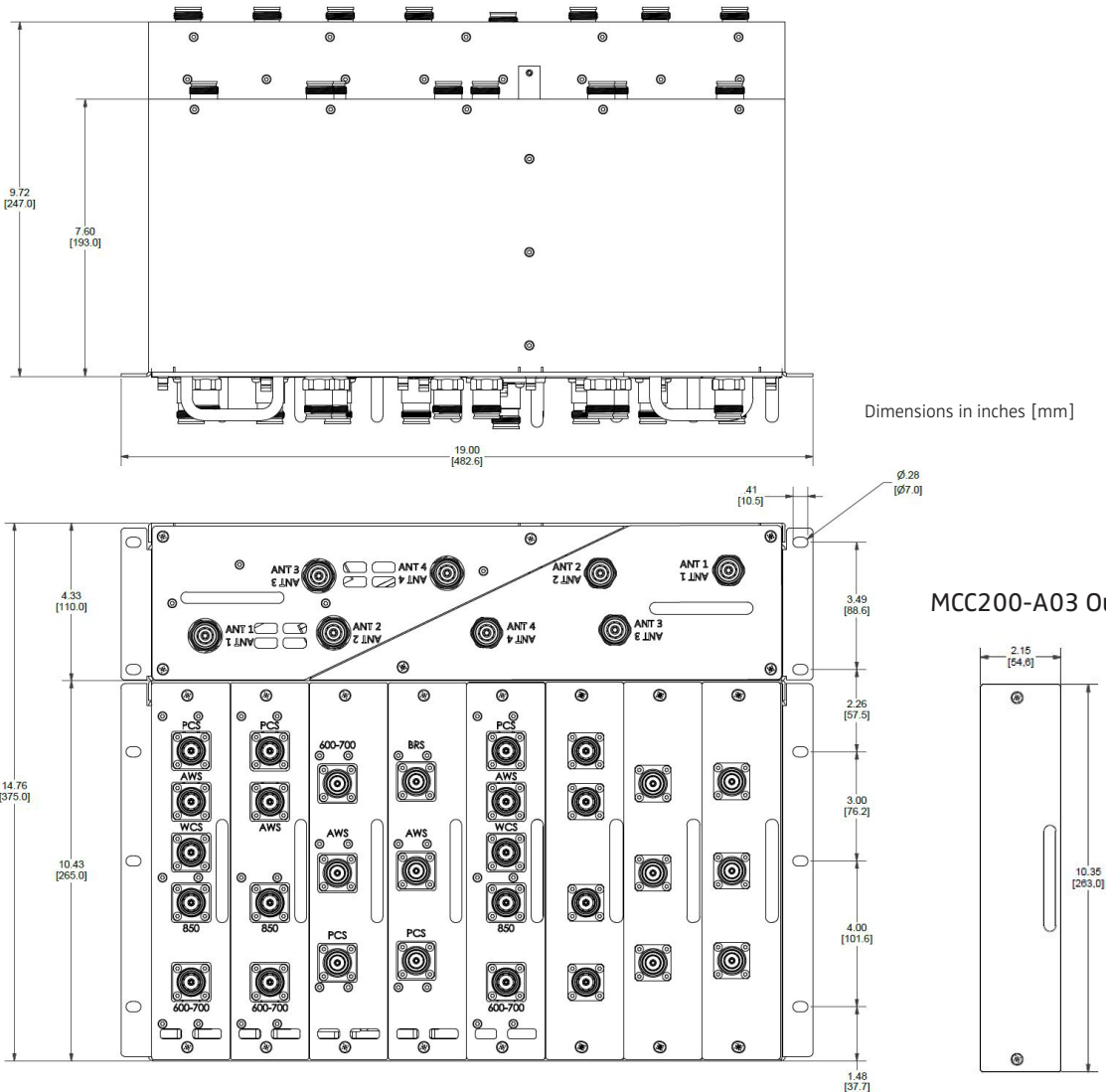
Note: Specifications are subject to change without prior notification.

MCC200 6RU Rack mount enclosure



- Each Crossband Card includes:
one (1) 1/4" Low PIM Jumper Cable with 4.3-10 (m-m) connector.
- See **MCC200-A03**, blank filter faceplate for unused slots in MCC200 Subrack

Outline Drawing for Rackmount



Note: Specifications are subject to change without prior notification.