

Product Change Notice

Manufacturer Name: Microlab **Date of Issue:** June 14, 2022

Title of Change: Product Design Change

Type of Change: Electrical Operation & Mechanical Dimensions

Change Description: Port 1 Operating frequency has been increased to support 2200MHz. Isolation has decreased to 50dB. The new mechanical dimensions of the product are shown below.

Reason for Change: To increase the frequency range of operation and improve the manufacturing process of the product

Notice Effective Date: June 14th, 2022

Last Time Buy Date: N/A

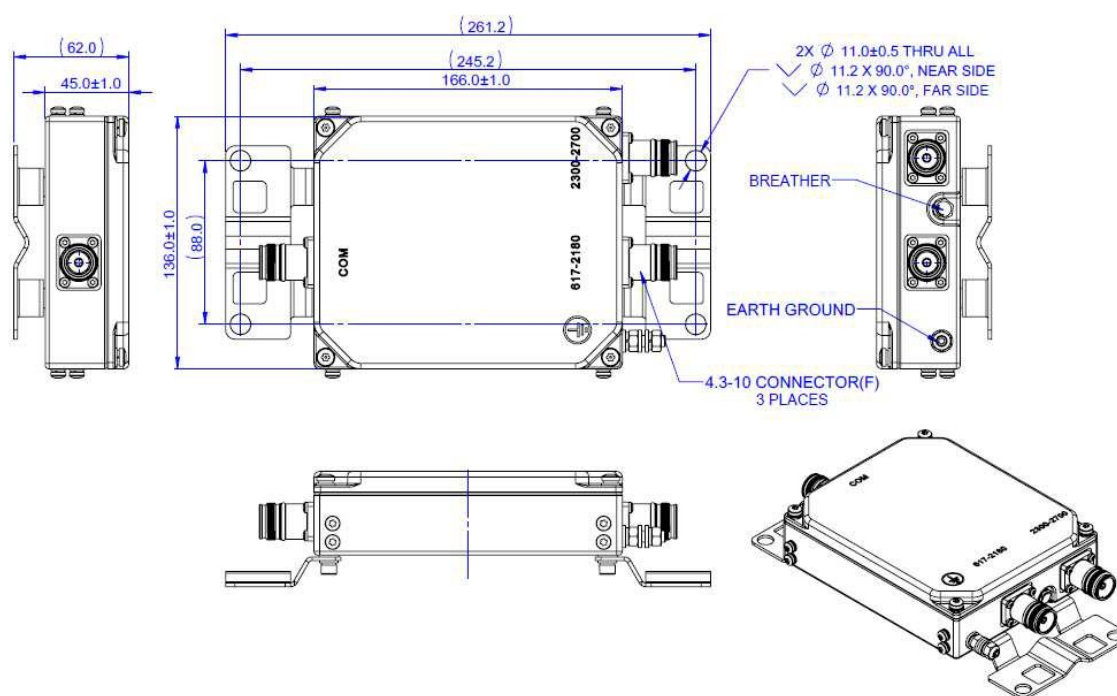
Last Time Ship Date: N/A

Manufacturer Contact: sales@microlabtech.com

Affected Products:

Manufacturer Product Name	Product Description
BK-693E	Diplexer 617-2200/2300-2700MHz 200W -161dBc 4.3-10 IP67
BK-693EW	Dual Diplexer 617-2200/2300-2700MHz 200W -161dBc 4.3-10 IP67

Mechanical Outline (Single Unit) :



Mechanical Outline (Dual Unit) :

