



GPS Distribution Box, GPSD209

2 GPS Inputs to 9 Individually Variable GPS Outputs
SMA(f)
Rev A

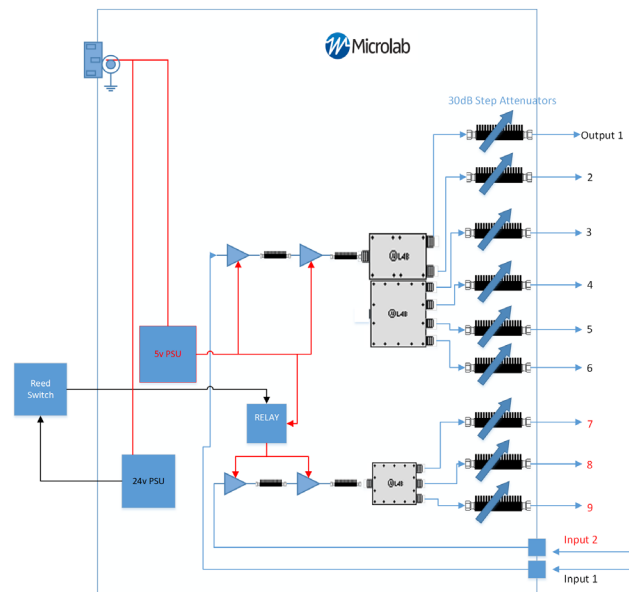
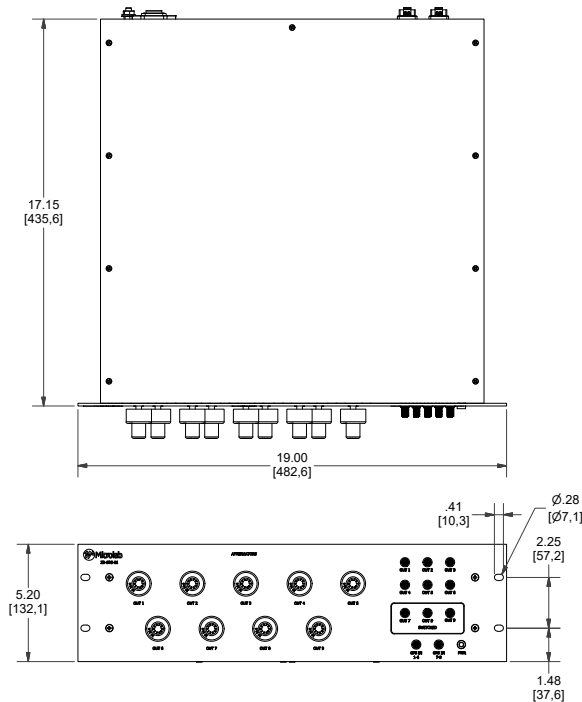
- ◆ 2 GPS inputs to 9 Variable Outputs
- ◆ 3 Switch Controlled Outputs
- ◆ 30 dB Range Adjustment per Output
- ◆ SMA Connectors
- ◆ Indoor Rack Mount
- ◆ High Reliability, RoHS



The GPSD209 GPS signal distribution and conditioner box is a 2 antenna input to 9 output active splitter that provides GPS signal distribution with variable gain levels for each output port. It is designed to provide +5 to +35 dB of gain. Three of the 9 ports share an external switch control to disable GPS signal when activated by external logic. The manual step attenuators can be adjusted in 1 dB increments from 0-30dB for fine tuning GPS signal distribution.

Input Power: -90dBm typ.
+10dBm, No damage
Frequency: GPS L1, 1575.42 MHz
Gain: +5 to +35dB
AC Power: 4W max. @ 120V
Connectors: SMA(f)
Impedance: 50Ω nom.
Environment: -25°C to +55°C, Indoor
Dimensions: 3 RU, 19" Rack Mount
Weight: TBD

Outline & Schematic



Note: Specifications are subject to change without prior notification.

12NOV2019