

- ◆ Range of Standard Values
- ◆ Integral Matching Structures
- ◆ High Reliability
- ◆ 2W Average Power at 25°C
- ◆ RoHS compliant
- ◆ 4.3-10 Connector

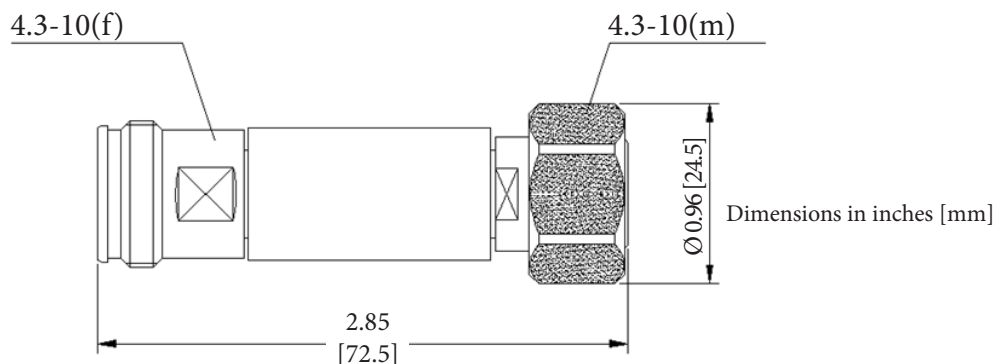

AM-03E

The Microlab coaxial attenuators for wireless applications cover DC to 3 GHz frequency range. Average continuous wave power rating of 2 Watts.

These attenuators are constructed of resistive elements in a conventional series circuit. They are exceptionally rugged, and negligibly affected by normal ambient temperature and humidity changes. They are capable of bi-directional power application.

Frequency Range: DC to 3.0 GHz
 Impedance: 50Ω nominal
 Temperature:* -55° to +125°C
 Finish:
 Body: Passivated aluminum
 Heat Sink: Anodized aluminum
 Connectors: 4.3-10 (m-f)
 *Derate power by 0.5W @ 125°C

Model Number/Attenuation		Power* Avg/Peak	Accuracy dB	VSWR max.	Size in.(mm)		Wt. nom oz (g)
1 dB	2 dB				Diam.	Length	
AM-01E	AM-02E	AM-03E	2W/0.5kW	±0.4	1.20:1	0.96(24.5) 2.85(72.5)	3.2(90)
*Derate power by 0.5W @ 125°C							

AM-0xE Outline


Note: Specifications are subject to change without prior notification.

16JUL2018