

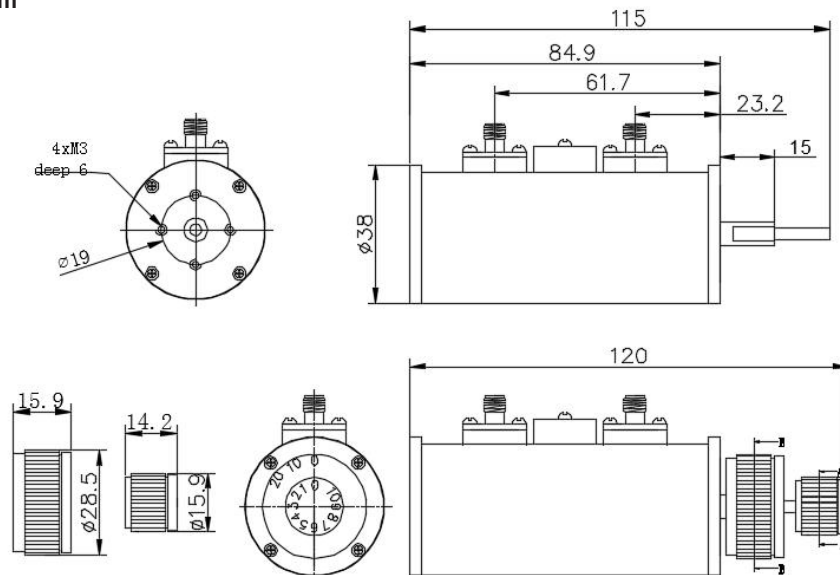
- ◆ 0 - 30 dB Attenuation Range with 1 dB Step Value
- ◆ 2W Average Power
- ◆ Low VSWR and Low Loss
- ◆ High Reliability and Accuracy
- ◆ SMA Connectors
- ◆ RoHS compliant
- ◆ Designed for wireless applications



The Microlab AV-60F is a Dual Rotary Attenuator for low power wireless applications covering from DC to 2.7 GHz. It adjusts from 0 to 30 dB in 1 dB increments using readable concentric knobs. The AV-60F can handle 2W Average Power and maintains low VSWR and low loss.

Part Number	Connector Type	Band GHz	Attenuation Range	Step	Accuracy	Insertion Loss	Power Avg	Impedance $\Omega$	VSWR	Weight oz. (g) nom
<b>AV-60F</b>	SMA (f)	DC - 1.0 1.0 - 2.7	0 - 30 dB	1 dB	$\pm 0.5$ dB $\pm 1.0$ dB	<1.0 dB	2 W	50	<1.3:1 <1.4:1	11.8 (335)

### Dimensions in mm



Note: Specifications are subject to change without prior notification.

31MAR2023