

- ◆ Inject Band14 in to multi-band DAS networks
- ◆ 40 dB Input Isolation
- ◆ 60/300 W Power Rating
- ◆ Guaranteed Low PIM
- ◆ Minimal RF Insertion Loss
- ◆ 4.3-10 Connectors
- ◆ IP67 Rated
- ◆ RoHS compliant

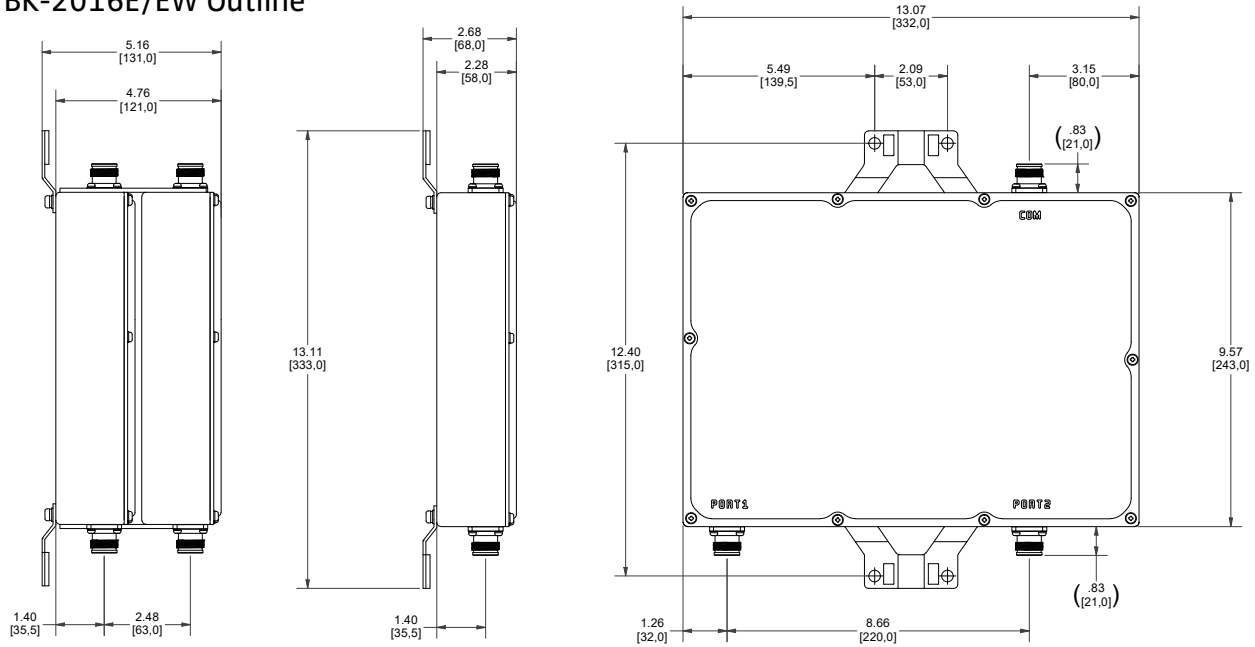


Model No.	Type	Weight lbs (kg)	Dimensions inches [mm]
BK-2016E	Single	13.7 (6.23)	13.07 x 9.47 x 2.28 [332 x 243 x 58]
BK-2016EW	Dual	27.4 (12.45)	13.07 x 9.47 x 4.76 [332 x 243 x 121]

Microlab BK-2016E is a diplexer that allows combinations and separation of FirstNet signals with 700/850/PCS/AWS/WCS bands. Achieve better band combining or Band 14 injection with multi-band radios. The inputs are well isolated and have minimal insertion loss over their respective frequency bands to minimize band inter-action. Attention to the mechanical design and manufacturing process guarantees low passive inter-modulation. Dual mounted configuration for 2x2 MIMO applications is available as BK-2016EW

Frequency Bands:	Port 1: 758-798 MHz (Band 14) Port 2: 698-746 MHz (L700 ABC only) 824-894 MHz 1695-2200 MHz 2305-2360 MHz
Passband Loss:	0.5dB typ, 1.0 dB max.
Isolation:	40db typ., 35 dB min.
Return Loss:	20dB typ, 17dB min. All ports
Group Delay:	89ns
Power:	Port 1: 60 W, 0.5W Peak Port 2: 300 W, 3kW Peak
Impedance:	50Ω nom.
PIM:	-158dBc (-115dBm) typ -155 dBc (-112 dBm) min. (Test 2x +43dBm tones @ Ambient)
Environment:	-40 to +65°C, IP67 Rated
Finish:	Painted
Housing:	Passivated Aluminum
Connectors:	4.3-10 (f), Flange Triplate

## BK-2016E/EW Outline



Note: Specifications are subject to change without prior notification.

11MAY2021