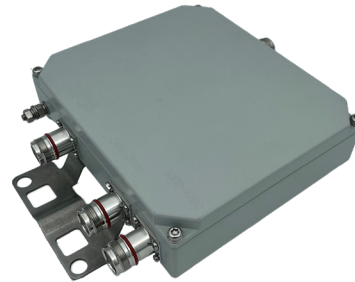


- ◆ Combine 600-WCS, 2.5 BRS, & C-Band (3300-4200 MHz)
- ◆ 43 dB Input Isolation
- ◆ High Input Power (100W-250W)
- ◆ Guaranteed Low PIM
- ◆ Minimal RF Insertion Loss
- ◆ 4.3-10 Connectors
- ◆ RoHS compliant

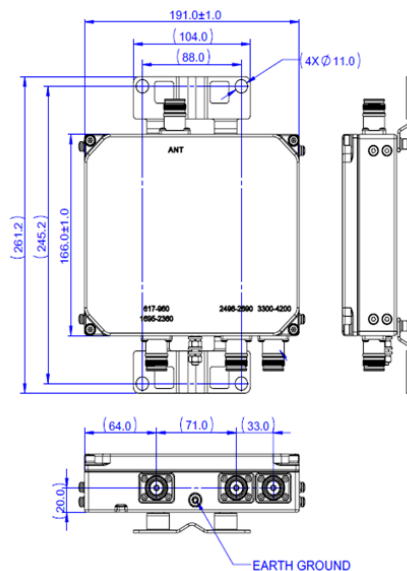


Model No.	Type	Weight lbs (kg)	Dimensions inches [mm]
BK-3009E	Single	5.8 (2.5)	7.52 x 6.54 x 1.89 [191 x 166 x 48]
BK-3009EW	Dual	11.6 (5.0)	7.52 x 6.54 x 3.98 [191 x 166 x 101]

Microlab BK-3009E triplexer allows combination and splitting of signals in 617-960 MHz or 1695-2360, 2496-2690 MHz and 3300-4200 MHz wireless bands. It allows efficient combining or splitting of the standard cellular bands and shared bands like CBRS and C-Band for use in DAS or D-RAN. To minimize band inter-reaction, the inputs are well isolated and have minimal insertion loss over their respective frequency bands. Attention to mechanical design ensures guaranteed low passive inter modulation. Dual mounted configuration for 2x2 MIMO applications is available as BK-3009EW.

Frequency Bands:	
Port 1:	617 - 960 MHz 1695 - 2360 MHz
Port 2:	2496 - 2690 MHz
Port 3:	3300 - 4200 MHz
PIM:	<-161 dBc (-118 dBm) (Test with 2x +43 dBm tones @ ambient)
Power: Port 1:	250 W avg., 3 kW pk
Port 2/3:	100 W avg., 1kW pk
Return Loss:	20 dB typ/18dB min. (all ports)
Isolation:	43 dB typ/40dB min. (all ports)
Insertion Loss:	0.5 dB max. All paths
Impedance:	50 Ω nom.
Group Delay:	4/8/11 ns typ. (P1/P2/P3)
DC Pass:	3A max, All Ports
Lightning Protection:	±5 kA, 8/20 μs
Environment:	-40° to +65°C, IP67
Connectors:	4.3-10 (f), Flanged Triplate
Ground Protection:	M6 screw
Housing Finish:	Painted
Mounting:	Bracket Included

BK-3009E Outline

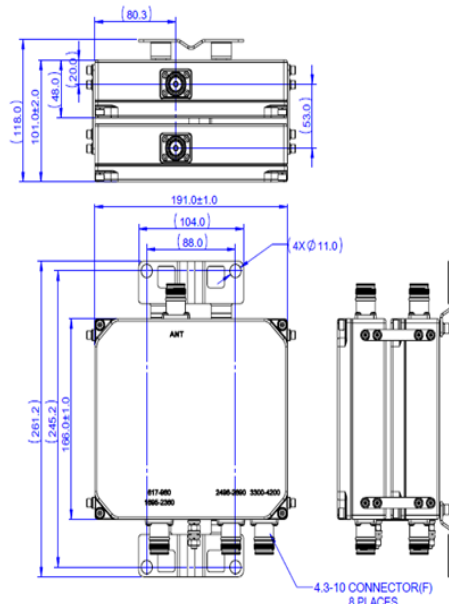


Dimensions in mm

Note: Specifications are subject to change without prior notification.

27SEP2023

BK-3009EW Outline



Dimensions in mm

Note: Specifications are subject to change without prior notification.