

- ◆ Combines GSM, DCS and UMTS bands for DAS applications
- ◆ 60 dB Input Isolation
- ◆ 200W per port
- ◆ Guaranteed Low PIM
- ◆ Minimal RF Insertion Loss
- ◆ 4.3-10 Connectors
- ◆ IP67 Rated
- ◆ RoHS compliant

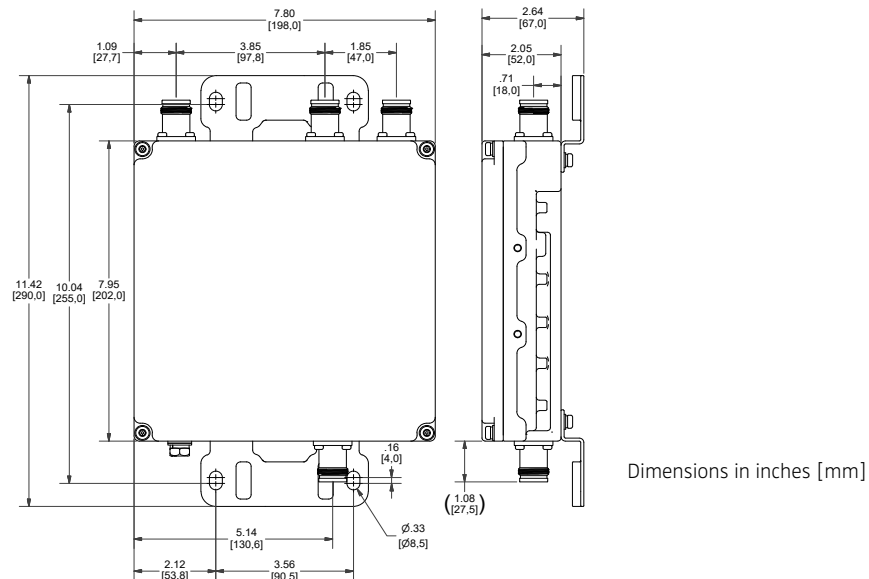


Model No.	Type	Weight lbs (kg)	Dimensions inches [mm]
BK-311E	Single	5.1 (2.30)	7.95 x 7.80 x 2.05 [202 x 198 x 52]
BK-311EW	Dual	10.3 (4.67)	7.95 x 7.80 x 4.17 [202 x 198 x 106]

Microlab BK-311 triplexer allows combination and splitting of signals in 698-960 MHz, 1710-1880 MHz and 1920-2170 MHz wireless bands. It allows efficient combining or splitting of the standard cellular bands for use in a base station or distributed antenna system(DAS). To minimize band inter-reaction, the inputs are well isolated and have minimal insertion loss over their respective frequency bands. Attention to mechanical design ensures guaranteed low passive intermodulation. Dual mounted configuration for 2x2 MIMO applications is available as BK-311EW

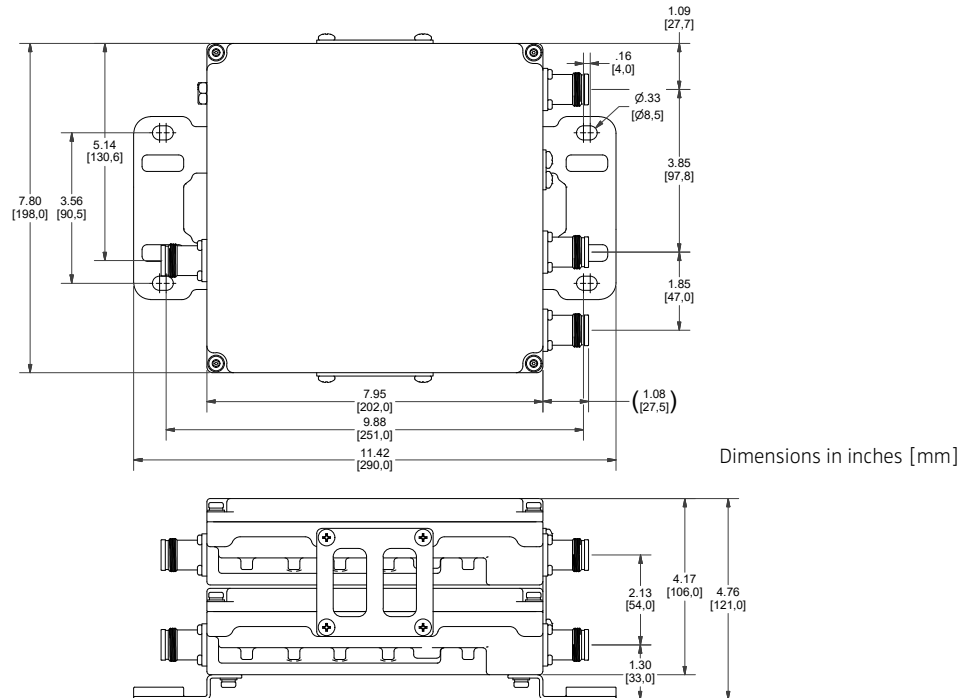
Frequency Bands:	
Port 1:	698 -960 MHz
Port 2:	1710 -1880 Mhz
Port 3:	1920 - 2170 MHz
PIM:	-155 dBc (-112 dBm) min. Test with 2x tones at +43 dBm
Power:	200 W avg./port
Return Loss:	20 dB typ, 19 dB min., All Ports
Isolation:	60 dB min.
Insertion Loss:	0.3 dB typ, 0.5 dB max. All paths
Impedance:	50Ω nom.
Group Delay:	
Port 1:	3 ns typ.
Port 2 & 3:	21 ns typ.
DC Pass:	3A max, All Ports
Lightening Protection:	±10 kA, 10/350 μs
Environment:	-20° to +65°C, IP67
Connectors:	4.3-10 (f), Flanged Triplate
Ground Protection:	M6 screw
Housing Finish:	Painted
Mounting:	Bracket Included

BK-311E Outline



Note: Specifications are subject to change without prior notification.

4MAR2020

BK-311EW Outline


Note: Specifications are subject to change without prior notification.