

- ◆ Combines DCS, IMT and IMT-E bands for DAS applications
- ◆ 50 dB Input Isolation
- ◆ 200 W per port
- ◆ Guaranteed Low PIM
- ◆ Minimal RF Insertion Loss
- ◆ 4.3-10 Connectors
- ◆ IP67 Rated
- ◆ RoHS compliant

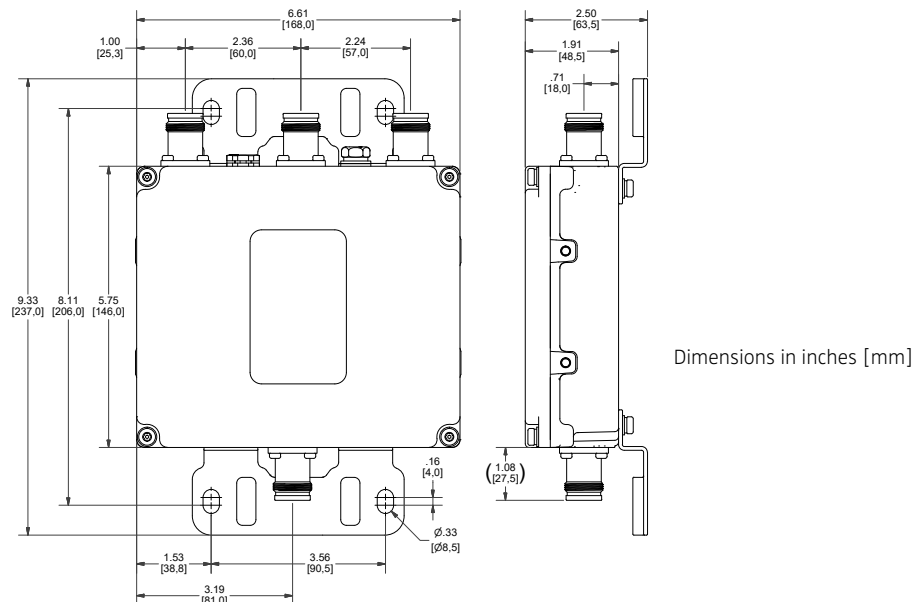


Model No.	Type	Weight lbs (kg)	Dimensions inches [mm]
BK-351E	Single	3.50 (1.60)	6.61 x 5.75 x 1.91 [168 x 146 x 48.5]
BK-351EW	Dual	7.10 (3.22)	6.61 x 5.75 x 4.04 [168 x 146 x 102.5]

Microlab BK-351E is a triplexer which allows combination and separation of the signals in 1710-1880 MHz, 1920-2200 MHz and 2300-2700 MHz wireless bands. It allows efficient combining or splitting of the standard cellular bands for use in a base station or distributed antenna system (DAS). To minimize band inter-reaction, the inputs are well isolated and have minimal insertion loss over their respective frequency bands. Attention to mechanical design ensures guaranteed low passive intermodulation. Dual mounted configuration for 2x2 MIMO applications is available as BK-351EW

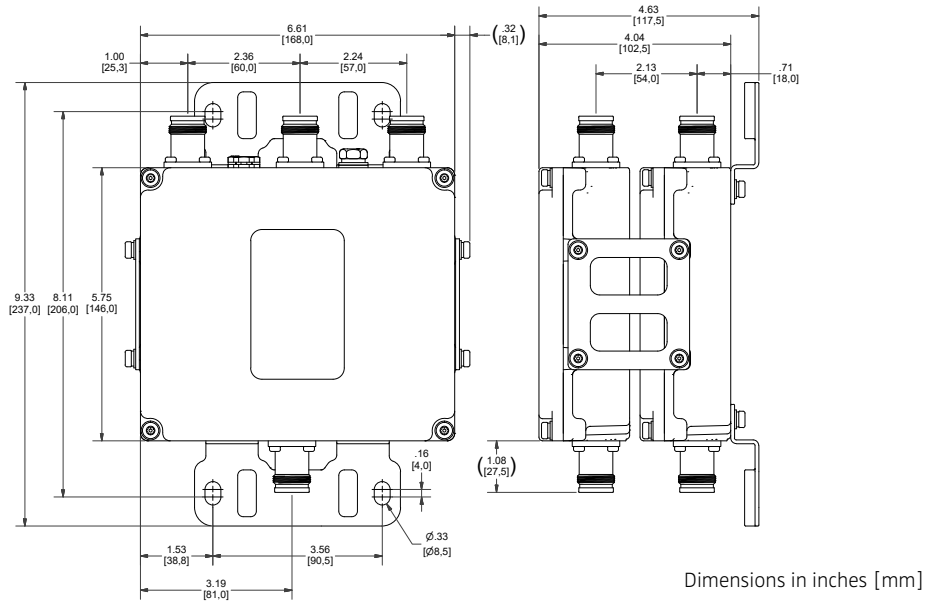
Frequency Bands:	
Port 1:	1710 -1880 MHz
Port 2:	1920 - 2200 MHz
Port 3:	2300-2700 MHz
PIM:	<-155 dBc (-112 dBm) (2 tones of +43dBm)
Return Loss:	20 dB min
Isolation:	50 dB min
Insertion Loss:	0.4 dB max
Group Delay:	17 ns typ.
DC Pass:	3A max, All Ports
Power:	200 W avg
Impedance:	50Ω nominal
Environment:	-20° to +65°C, IP67
Lightening Protection:	±10 kA, 10/350 μs
Connectors:	4.3-10 (f), Flanged
Protection Ground:	M6 screw
Housing Finish:	Painted

### BK-351E Outline



Note: Specifications are subject to change without prior notification.

14APR2019

**BK-351EW Outline**


**Note: Specifications are subject to change without prior notification.**