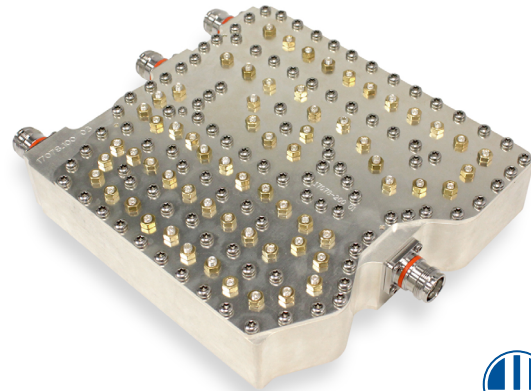


\$ Saver Product Line

- ◆ Combines 700/850+PCS/AWS Bands
- ◆ Supports ESMR800, PCS G/H and AWS-3
- ◆ 4.3-10 Low PIM Connectors
- ◆ 50 dB Input Isolation
- ◆ 250 W/port Avg. Power
- ◆ Low RF Insertion Loss & Ripple
- ◆ For Indoor Applications
- ◆ RoHS compliant

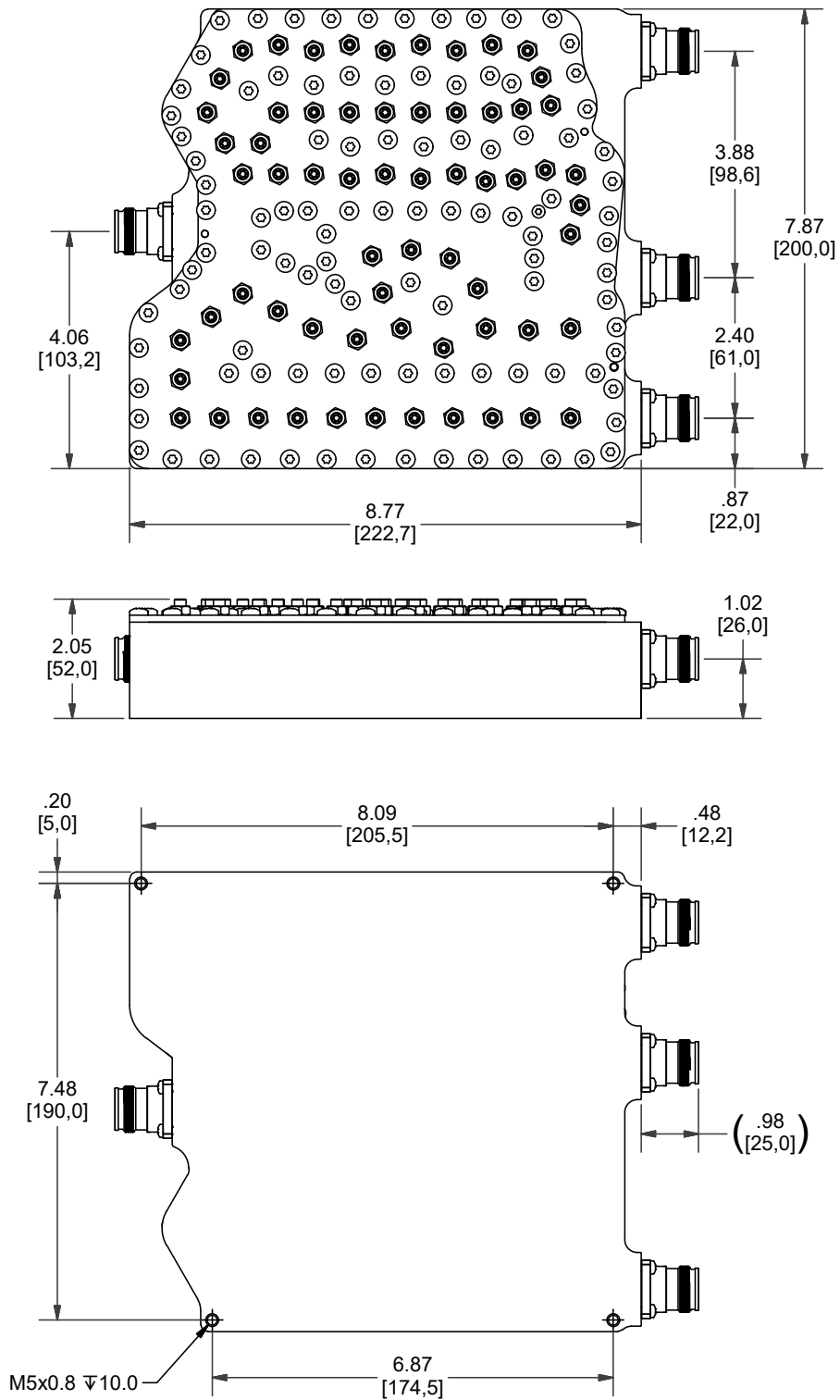


Microlab Model BK-362E is a Triplexer which allows combination and separation of the signals in the 700MHz Band, the combined 850 and PCS Bands, and the AWS1-3 bands, 1695-1780 & 2110-2180 MHz. To minimize band inter-reaction, the inputs are well isolated and have minimal insertion loss over their respective frequency bands.

The Triplexer has been designed using passive, proprietary techniques which minimizes cost and size. At the same time it ensures minimal loss and very high reliability at input powers up to 250W per input.

LTE-700 Input:	698 - 787 MHz
850 + PCS Input:	817 - 896 & 1850-2000 MHz
AWS Input:	1695-1780 & 2110-2180 MHz
Insertion Loss:	<0.5 dB, in passband
Input Isolation:	>50 dB
Input Return Loss:	>18 dB
Power Rating:	250W/input avg., 2 kW pk
Impedance:	50Ω nominal
Passband Ripple:	<0.4 dB typ.
PIM (Intermod):	< -158 dBc (-115dBm) (2 tone test at +43dBm)
Environment:	-25°C to +55°C
Finish: Connectors:	4.3-10(f) Long Neck, Triplate
Dimensions:	200.0 x 222.7 x 52.0 mm
Weight, nominal:	6.9 lb (3.1 kg)

BK-362E Outline



Dimension in mm