

\$ Saver Product Line

- ◆ Integrates (700 & 850)/(PCS & AWS-1, -3)/(WCS & BRS) Bands for multiband collocated sites
- ◆ Guaranteed Low PIM
- ◆ 50 dB Input Isolation
- ◆ 250 W/input CW Avg Power
- ◆ Minimal RF Insertion Loss & Ripple
- ◆ Constructed for Outdoor Use, IP67
- ◆ High Reliability, Moisture sealed
- ◆ RoHS compliant
- ◆ 4.3-10 or 7/16 connectors



Model BK-421E



Model Number	Connectors Female	Body Type	Weight. nom lb (kg)
BK-421D	7/16 DIN	Single	4.4 (2.0)
BK-421DW	7/16 DIN	Dual	9.0 (4.1)
BK-421E	4.3-10	Single	4.4 (2.0)
BK-421EW	4.3-10	Dual	9.0 (4.1)

Microlab Model BK-421 is a 3 Channel Multiplexer which allows combination and separation of the signals in the LTE-700, SMR 800 and GSM-850 bands (Channel 1), the 1900 PCS, AWS-1 and AWS-3 bands (Channel 2), and WCS & BRS bands (Channel 3).

To minimize band inter-reaction, the inputs are well isolated and have minimal insertion loss over their respective frequency bands.

The Multiplexer has been designed using passive, proprietary techniques which minimizes PIM effects. It also ensures minimal loss and very high reliability at input powers up to 250W per input port.

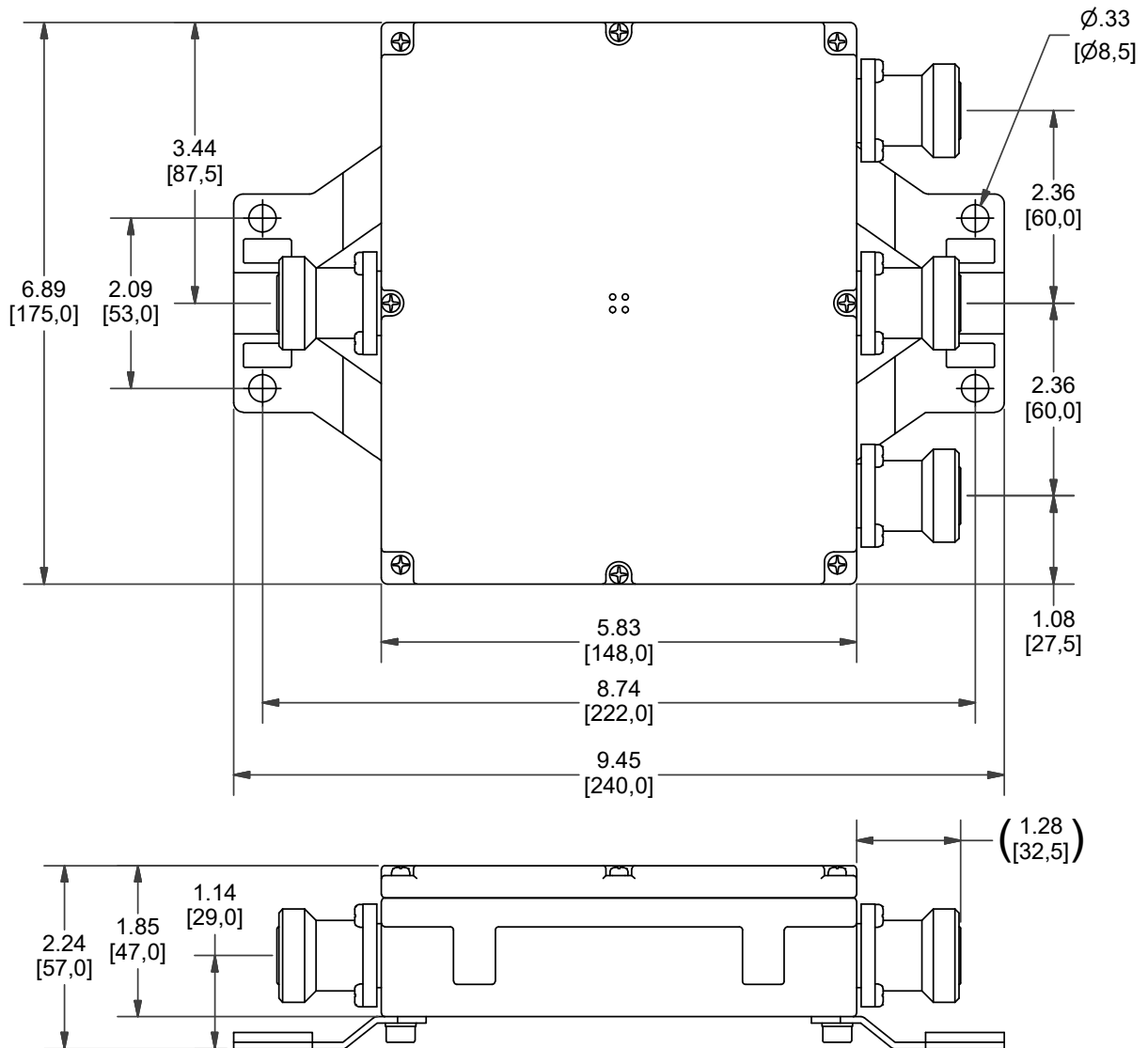
This configuration permits DC pass through all ports.

Input Channel 1:	698 - 960 MHz
Input Channel 2:	1695 - 2180 MHz
Input Channel 3:	2300 - 2690 MHz
Power Max. Rating:	250W/Input port, CW avg. 3 kW peak
Passband Loss:	<0.5 dB
Return Loss:	>19 dB typ, all ports
Isolation:	>50 dB
PIM (Intermod):	<-161 dBc (2 x +43 dBm tones)
Impedance:	50Ω nominal
DC Pass:	All ports
Environment:	-30°C to +75°C, IP67
Finish: Connectors:	Long neck, Triplate
Housing:	Grey Paint

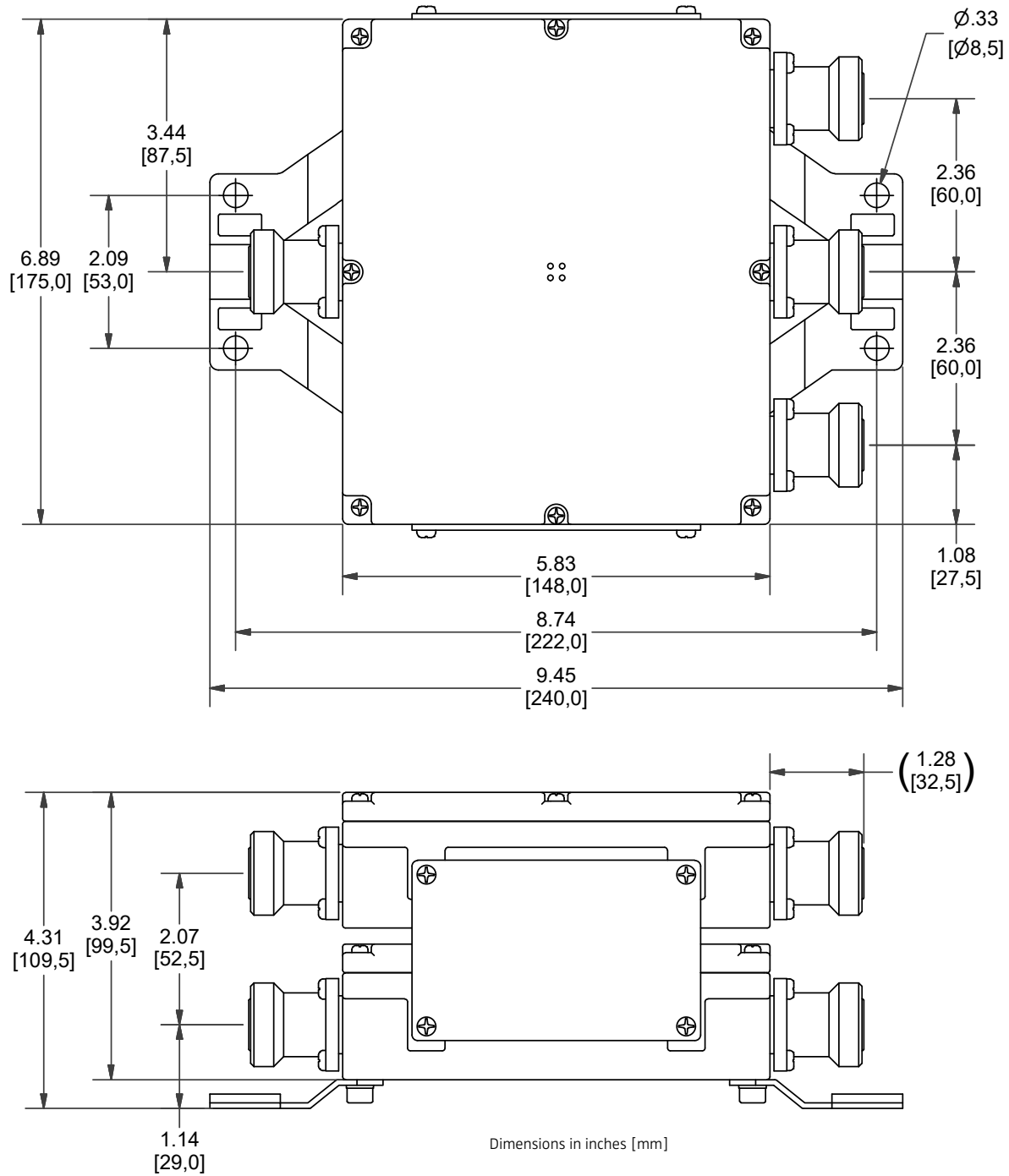
Note: Specifications are subject to change without prior notification.

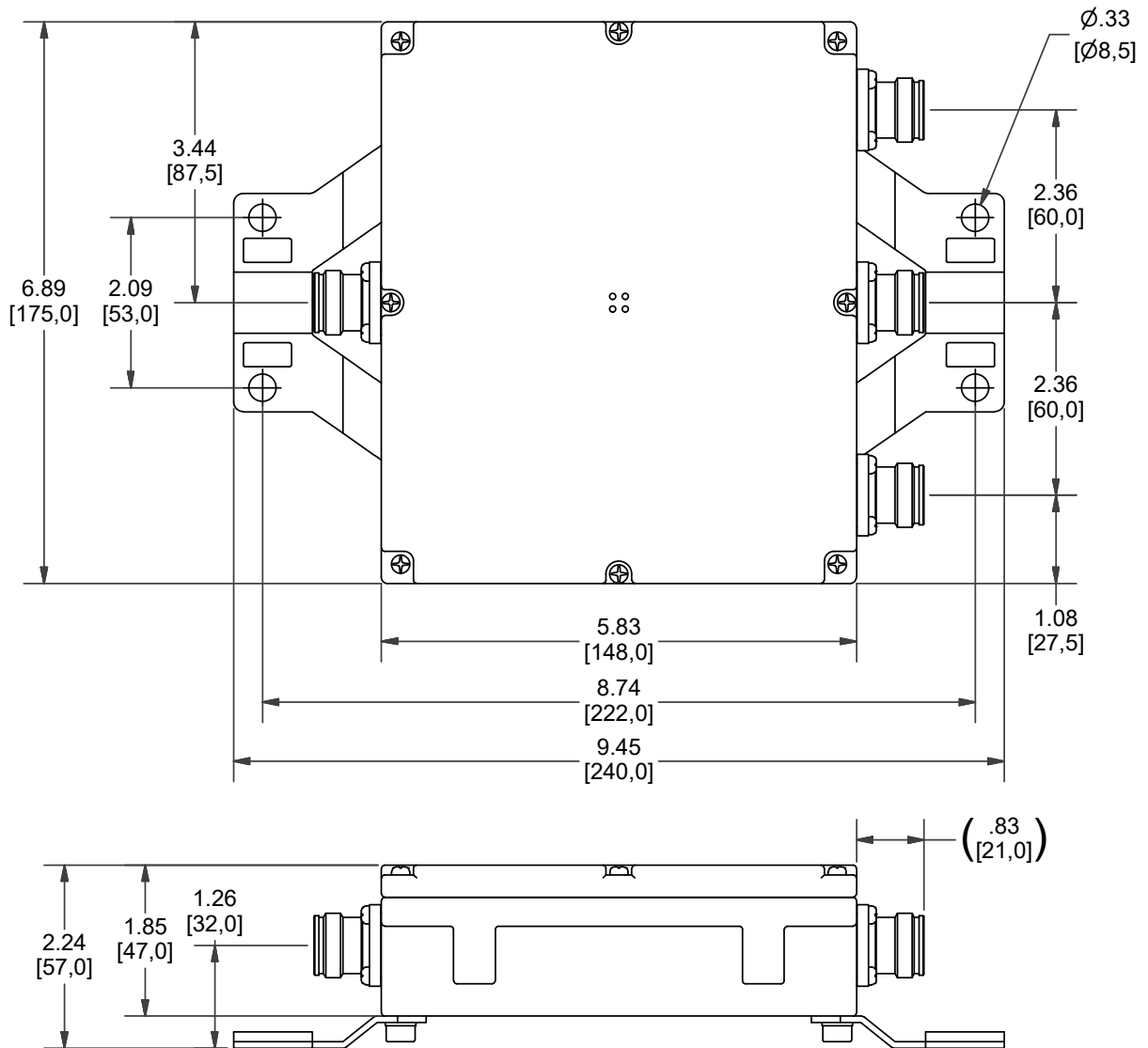
12FEB2018

BK-421D Outline



Dimensions in inches [mm]

BK-421DW Outline


BK-421E Outline


Dimensions in inches [mm]

BK-421EW Outline

