

- ◆ Enterprise+ Series: Commercial Wireless and Private LTE Applications
- ◆ Extended Bandwidth: 694-3800MHz
- ◆ Low PIM
- ◆ 200 Watt per Input Continuous Average Power
- ◆ IP65 Rated
- ◆ RoHS Compliant

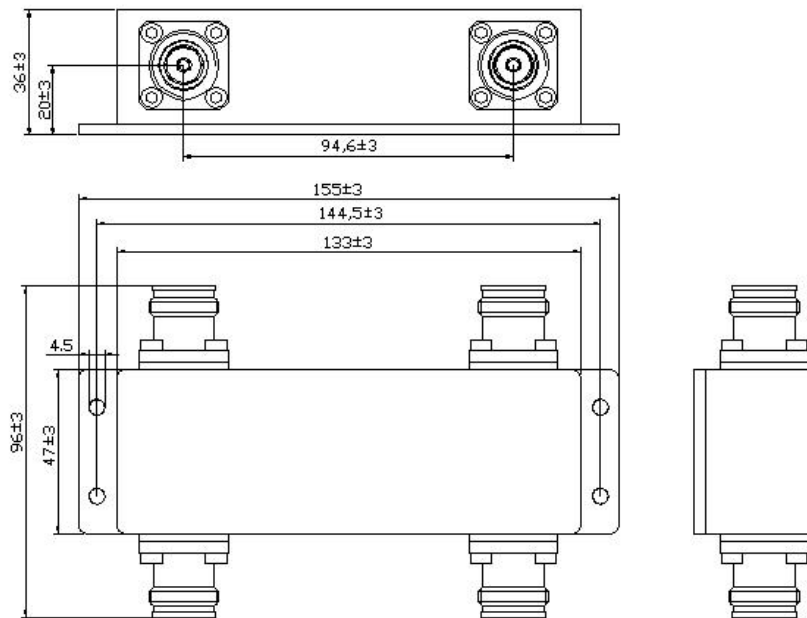


Microlab's Enterprise+ Series addresses the commercial wireless and private LTE needs for Enterprise DAS Applications. The CA-EP-2x2-738FE 2x2 Hybrid Coupler is most commonly used to combine two wireless carriers in the band to a single antenna feed or distribution cable. This requires the low PIM termination on one output port and results in a 3 dB loss in each signal. In situations where two similar feeds are required, as required for an in-building application, both outputs may be used eliminating the need for a term and a splitter.

Frequency:	694 to 3,800 MHz
Coupling Value:	3.1 ± 0.9 dB
VSWR:	1.25:1 max., all ports
PIM:	< -155 dBc (-112 dBm) min. (Test with 2x+43 dBm tones)
Input Power:	2 x 200 W avg.
Isolation:	23 dB min.
Impedance:	50Ω nom.
Temperature:	-35°C to +65°C
Environment:	IP65
Housing Finish:	Painted

Model #	Connector	Dimensions	Weight lb (kg)
CA-EP-2x2-738FE	4.3-10	155x47x36 mm	1.4 (0.62)
CA-EP-2x2-738FN	Type N	6.1 x 1.85 x 1.42 in	1.2 (0.56)

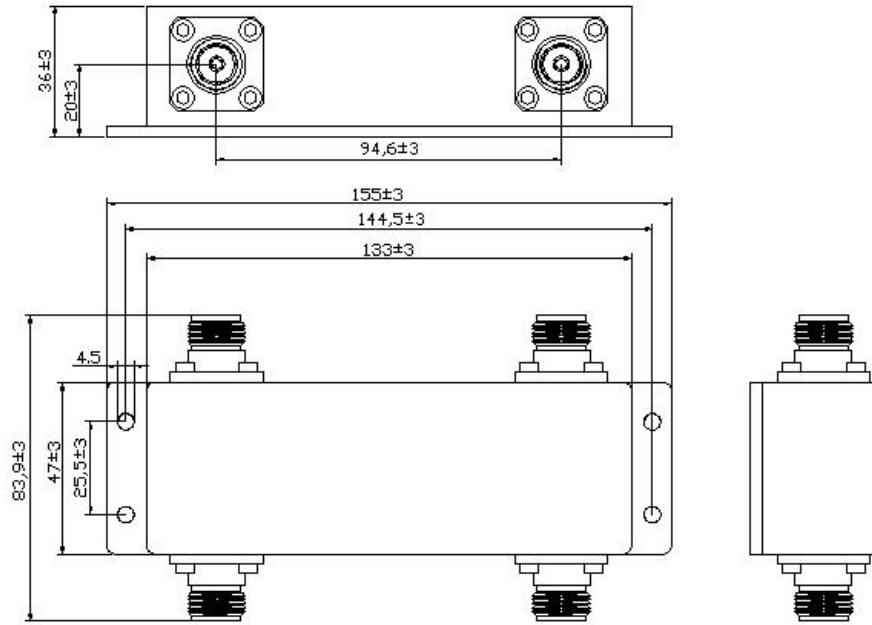
Outline Drawing CA-EP-2x2-738FE



Dimensions in mm
07MAR2024

Note: Specifications are subject to change without prior notification.

Outline Drawing
CA-EP-2x2-738FN



Dimensions in mm