

- ◆ Covers all Public Safety bands: VHF/ UHF/FirstNet/PS700/PS800/PS900
- ◆ High Reliability and IP65
- ◆ 200 Watt Average Power
- ◆ Low Cost Design and Red Paint
- ◆ RoHS Compliant



The CC-PS-x-196FN series of directional coupler is a tapered stripline design covering from 138 to 960 MHz. The units couple off a defined fraction of signal with high directivity and minimal loss. Availability in a wide range of coupling values makes this series useful in optimizing the signal distribution required in a Public Safety passive distribution network.

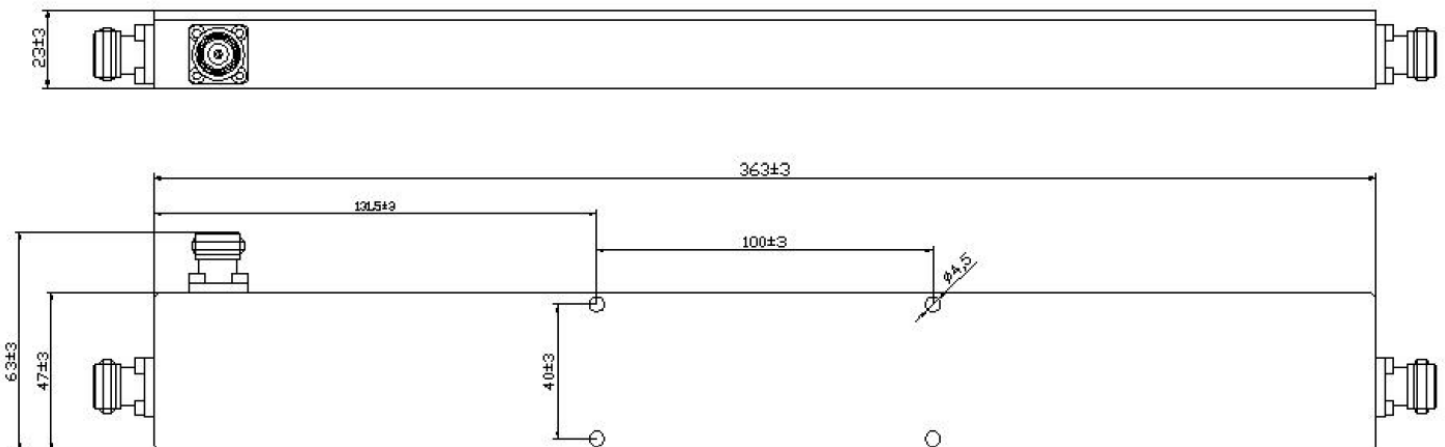
The wide Public Safety frequency range enables applications with multiband antennas, leaky cable systems, and wireless base stations. With minimal solder joints and a low loss dielectric, the dissipative loss has been minimized and reliability enhanced.

N-type Part#	Coupling Value (dB)	Main Loss (dB)	Accuracy (dB)	Directivity (dB)
CC-PS-4.8-196FN	4.8 dB	≤ 2.2 dB	±1.4	14.2
CC-PS-6-196FN	6 dB	≤ 1.75 dB	±1.5	15
CC-PS-7-196FN	7 dB	≤ 1.45 dB	±1.7	15
CC-PS-8-196FN	8 dB	≤ 1.35 dB	±1.8	15
CC-PS-10-196FN	10 dB	≤ 0.9 dB	±2.0	15
CC-PS-13-196FN	13 dB	≤ 0.7 dB	±2.0	15
CC-PS-15-196FN	15 dB	≤ 0.5 dB	±2.0	15
CC-PS-20-196FN	20 dB	≤ 0.4 dB	±2.0	15

Frequency: 138 to 960 MHz
 VSWR: 1.3:1 max.
 Power: 200 W avg.
 Impedance: 50Ω nom.
 Temperature: -35°C to +65°C
 Environment: IP65
 Housing Finish: Painted
 Connectors: 4-hole flange N-type(f)
 Weight, nom: 1.48 lb, (0.67 kg) 20dB

CC-PS-x-196FN Outline

Dimensions in mm



Note: Specifications are subject to change without prior notification.

18AUG2023