

- ◆ Covers Popular Public Safety bands:  
UHF/FirstNet/PS700/PS800/PS900
- ◆ 300 Watt Average Power
- ◆ Minimal RF Insertion Loss
- ◆ IP65
- ◆ RoHS Compliant



The CC-PS-x-396FN series of directional coupler is a tapered stripline design covering from 340 to 960 MHz. The units couple off a defined fraction of signal with high directivity and minimal loss. Availability in a wide range of coupling values makes this series useful in optimizing the signal distribution required in a Public Safety passive distribution network.

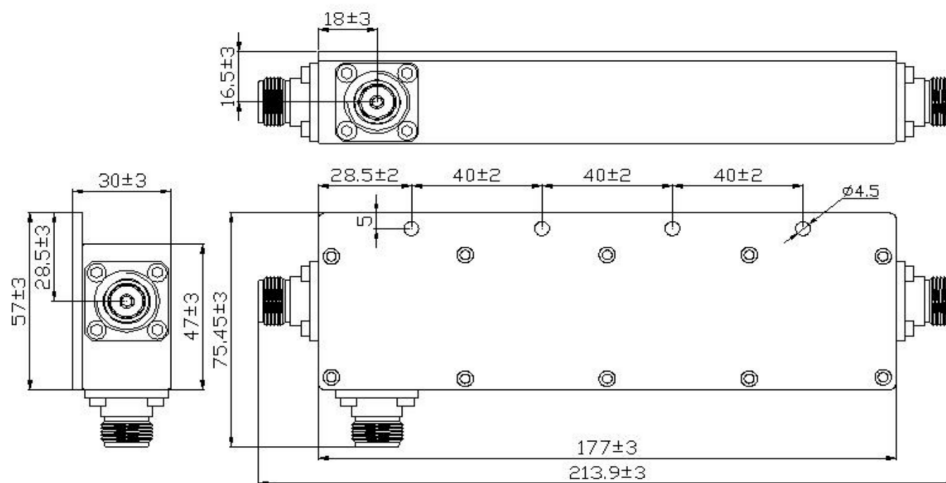
This design is optimized for UHF/TETRA and PS700/PS800/PS900 DAS Applications that do not require Low-PIM

N-type Part#	Coupling Value (dB)	Main Loss (dB)	Accuracy (dB)	Directivity (dB)
CC-PS-5-396FN	5 dB	< 2.5 dB	±1.3	18
CC-PS-6-396FN	6 dB	< 2.0 dB	±1.3	18
CC-PS-7-396FN	7 dB	< 1.5 dB	±1.3	18
CC-PS-8-396FN	8 dB	< 1.4 dB	±1.5	18
CC-PS-10-396FN	10 dB	< 1.1 dB	±1.5	18
CC-PS-13-396FN	13 dB	< 0.8 dB	±1.6	17
CC-PS-15-396FN	15 dB	< 0.7 dB	±1.7	17
CC-PS-20-396FN	20 dB	< 0.5 dB	±2.0	16
CC-PS-30-396FN	30 dB	< 0.3 dB	±2.1	16

Frequency: 340 to 960 MHz  
 VSWR: 1.3:1 max., all ports  
 Power: 300 W avg.  
 Impedance: 50Ω nom.  
 Temperature: -35°C to +65°C  
 Environment: IP65  
 Housing Finish: Painted  
 Connectors: 4-hole flange  
 N-type(f)  
 Dimension: 177 x 47 x 30 mm  
 (7 x 1.85 x 1.2) inches  
 Weight, nom: 1.32 lb, (0.60 kg)

### CC-PS-x-396FN Outline

Dimensions in mm



Note: Specifications are subject to change without prior notification.

07JUL2023