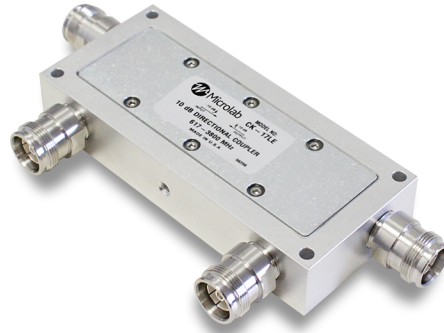


- ◆ Extended bandwidth for CBRS and Band43 applications
- ◆ 6 & 10 dB Coupling Values
- ◆ Minimal RF Insertion Loss
- ◆ Guaranteed Low PIM
- ◆ 200 Watt Average Main Line Power
- ◆ 4.3-10 Connectors
- ◆ RoHS Compliant

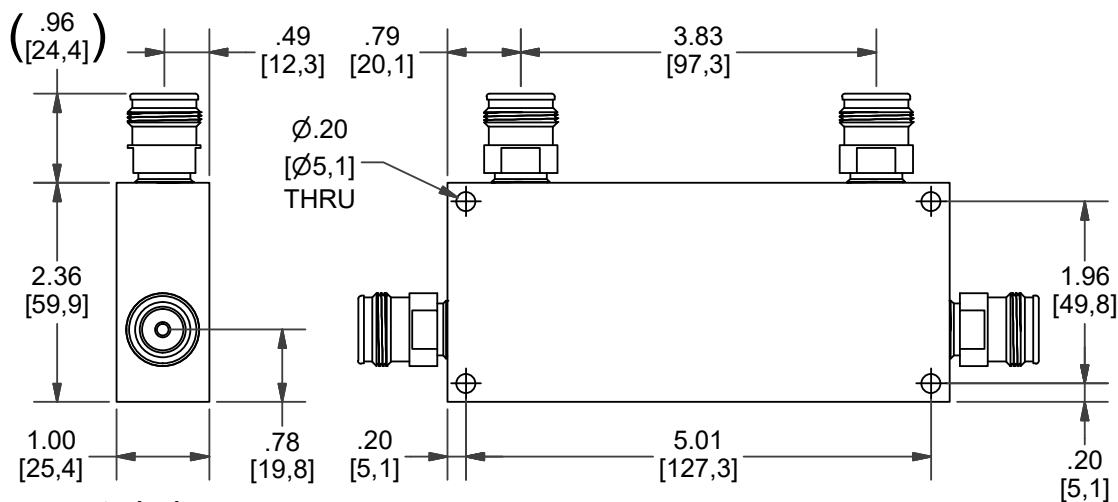


The CK-16LE and CK-17LE 4-port Directional Couplers are a tapered strip line design covering from 617 to 3,800 MHz for CBRS and Band43 applications. Units couple off a defined fraction of signal with minimal reflections or loss.

The extremely wide frequency range allows use with multiband antennas, leaky cable systems and wireless base stations. With minimal solder joints and a low loss dielectric, the dissipative loss has been minimized and reliability enhanced. Mounting brackets are included.

Frequency:	617-3800 MHz
VSWR:	1.20:1 max., 617-2500 MHz 1.25:1 max., 2500-3300 MHz 1.40:1 max., 3300-3600 MHz 1.45:1 max., 3600-3800 MHz
PIM:	-161 dBc (-118 dBm) (2 tones at +43 dBm)
Power:	200 W avg., 1.5 kW pk*
Directivity:	20 dB min., 617-2500 MHz 18 dB min., 2500-3300 MHz 16 dB min., 3300-3600 MHz 14 dB min., 3600-3800 MHz
Impedance:	50Ω nominal
Environment:	0°C to +50°C, IP67 below 0°C coupling is maintained but directivity degrades
Housing Finish:	Passivated Al.
Connectors:	4.3-10 (f), Triplate
Weight:	24 oz, 0.67 kg, nominal
*Power may be limited by feeding into poorly matched loads overloading the termination.	

Model No 4.3-10 (f)	Coupling nom.	Frequency Sensitivity (MHz)				Coupled Loss
		617-694	694-2500	2500-3600	3600-3800	
CK-16LE	6 dB	+1.0/-0.75 dB	±0.75 dB	±0.9dB	+1.4dB	1.26dB
CK-17LE	10 dB	+1.3/-1.0 dB	±1.0 dB	±1.0dB	+1.5dB	0.45dB
Dissipative Loss - <0.30dB						



Dimensions in inches [mm]

Note: Specifications are subject to change without prior notification.

31MAR2020