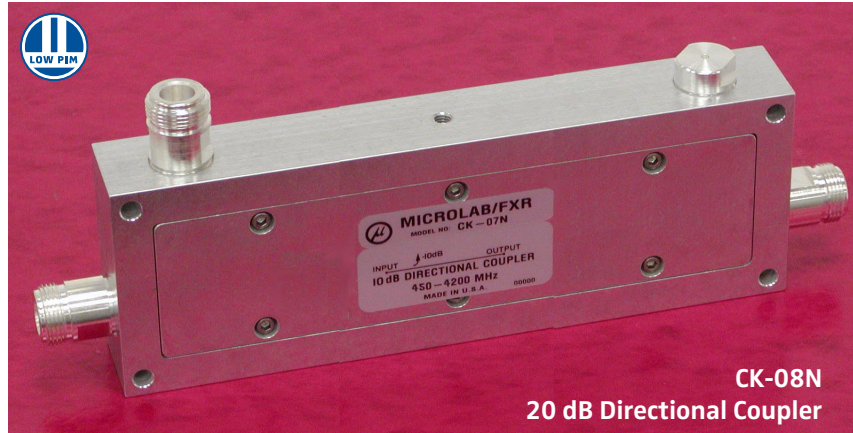


- ◆ Ultra wide-band, taper design
- ◆ Flat Response 450 to 4200 MHz
- ◆ 200W Power Rating
- ◆ Minimal RF Insertion Loss
- ◆ Low Specified PIM
- ◆ RoHS compliant



These Directional Couplers use a tapered stripline design for indoor applications covering from 450 to 4,200 MHz. Units couple off a defined fraction of signal with minimal reflections or loss.

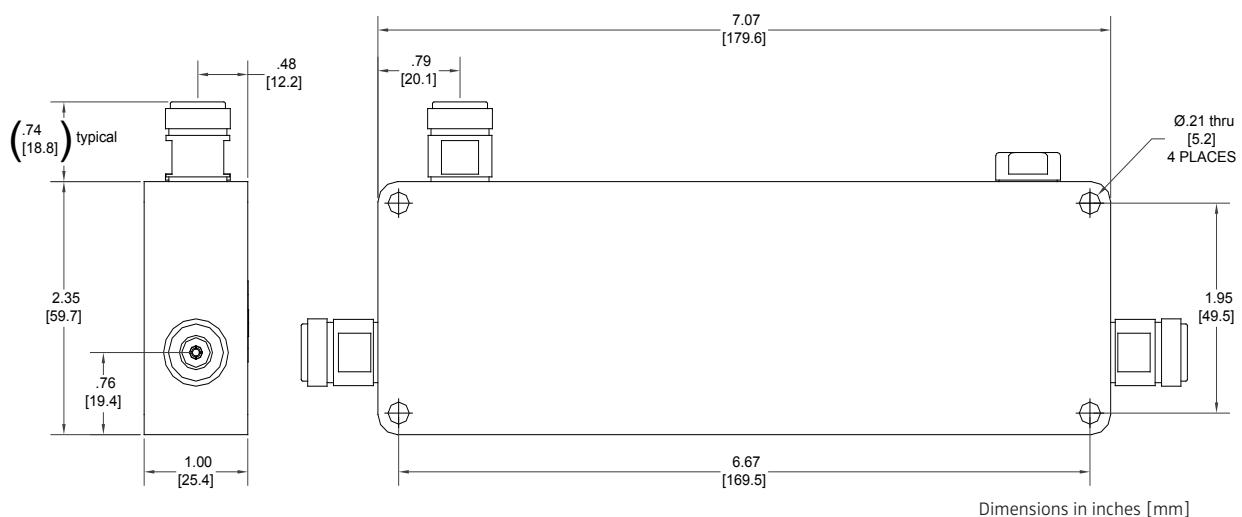
The extremely wide frequency range allows use with multi-band antennas and leaky cable systems and wireless base stations. With minimal solder joints and a low loss dielectric, the dissipative loss has been minimized and reliability enhanced.

Frequency: 450 to 4,200 MHz
 Intermod., PIM: <-161 dBc, 2 tones at +43 dBm
 Power Rating: 200 W avg., 1.5 kW pk*
 Impedance: 50Ω nominal
 Environment: 0°C to +50°C, below 0°C coupling is maintained but directivity falls

Housing Finish:
 Indoor/IP64: Standard model, Passivated Al.
 Connectors: Triplate

*Power is limited if feeding >2W into coupled port.

Model Number/Conn N Type	4.3-10	Coupling nom.	Frequency Sensitivity	Coupled Loss	Insertion Loss, dB	Directivity dB	VSWR All ports	Weight oz (kg)
CK-08N	CK-08E	20 dB	±1.2 dB	0.04 dB	<0.3	>18	<1.25:1	36 (1.0)
CK-09N	CK-09E	30 dB	±1.5 dB	0.01 dB				39 (1.1)



Note: Specifications are subject to change without prior notification.

29OCT2015