

- ◆ Split ratios from 1000:1 to 2:1
- ◆ Covers all Public Safety bands: VHF/ UHF/FirstNet/PS700/PS800/PS900
- ◆ 200 W Avg Power Rating
- ◆ Minimal RF Insertion Loss
- ◆ IP65 Rated and Red paint
- ◆ RoHS compliant



Microlab DN-PS-x-196FN tappers unevenly split high-power RF signals in fixed ratios from 1000:1 to 2:1 with minimal reflections or loss. The Tappers cover all the Public Safety bands from VHF - PS900. The innovative asymmetric design ensures an excellent input VSWR and coupling flatness across the specified bands.

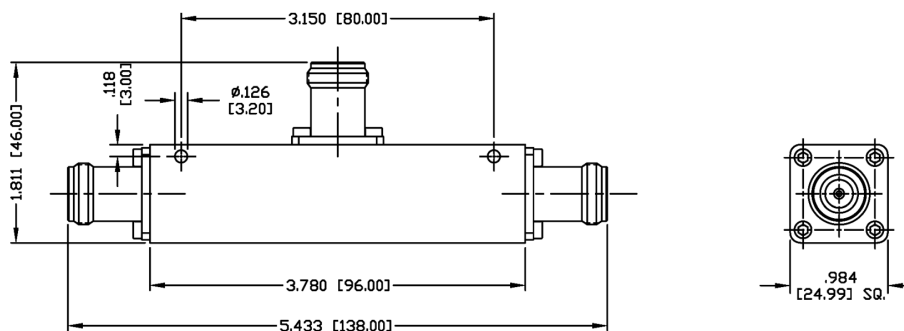
The lightweight design allows easy attachment to a wall using the supplied bracket.

Frequency Bands:	138-960 MHz
Power Rating:	200 W avg.
VSWR:	< 1.4:1/1.3:1 (3 dB; 138-380/380-960) < 1.3:1/1.25:1 (6 dB; 138-380/380-960) < 1.2:1 (10, 15, 20 dB; 138-960) < 1.25:1 (30 dB; 138-960)
Impedance:	50 Ω nominal
Temperature:	-35°C to +75°C
Environment:	IP65
Connectors:	N(f)
Housing Finish:	Painted
Dimensions:	3.78 x 0.98 x 0.98(in); 96x25x25(mm)
Weight, nom:	0.53 lbs (0.24 kg)

Part No	Ratio/Value	Main/ Branch Loss(dB)	Branch Accuracy (dB)				
			138-200	200-250	250-380	380-520	698-960
DN-PS-3-196FN	2:1/3dB	1.8/4.8	7.2±0.9	6.5±0.7	6.0±0.6	5.5±0.6	4.8±0.5
DN-PS-6-196FN	4:1/6dB	1.6/7.0	8.1±0.7	7.6±0.6	7.3±0.6	7.0±0.6	6.5±0.5
DN-PS-10-196FN	10:1/10dB	0.9/10.4	11±0.8	10.7±0.7	10.3±0.7	10.1±0.7	9.9±0.5
DN-PS-15-196FN	30:1/15dB	0.5/15.3	16±0.8	15.6±0.8	15.5±0.8	15.2±0.8	15.4±0.5
DN-PS-20-196FN	100:1/20dB	0.4/20.1	20.3±1.0	20.1±1.0	20±1.0	20.1±1.0	21.1±0.8
DN-PS-30-196FN	1000:1/30dB	0.3/30.1	30.7±1.0	30.1±1.0	30.1±1.0	30.1±1.0	30.1±1.0

Mechanical Outline

Dimensions in Inches [mm]



Note: Specifications are subject to change without prior notification.

23JUN2023