

\$ Saver Product

- ◆ 694 - 2,700 MHz
- ◆ 5 & 10 W Power Rating
- ◆ Low RF Insertion Loss
- ◆ 20 dB Isolation
- ◆ RoHS compliant
- ◆ Low Cost Design
- ◆ Opposed Connectors

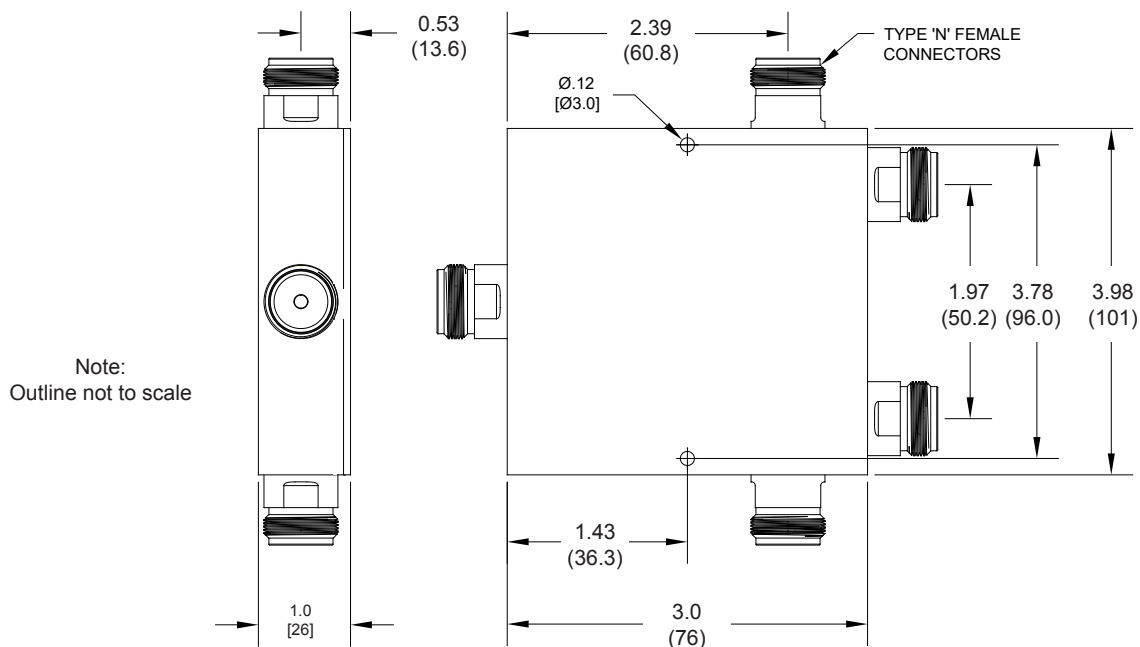


This series of 2, 3 & 4 way Wilkinson style Power Dividers has been designed for low power applications where outputs need to be on opposed sides of the housing. This feature makes connections easier, especially when combined with the wide frequency range for multiband antennas and leaky cable systems. Similar models are available with SMA to order.

Frequency Range: 694 - 2,700 MHz
Impedance: 50Ω nominal
Temperature: -30 to +60°C
Applications: Indoor, 5 - 95%RH
Finish: Connectors: N(f), tri-plate
Housing: Passivated aluminum

Model Number	No. of Ways	Isolation dB min	Split Loss dB nom	Dissipative Loss, dB max	Amplitude Balance typ.	Input VSWR max	Output VSWR max	Forward Power* avg.	Weight nom. oz (g)
D2-78FN	2	20	3	0.5	± 0.3 dB	1.30:1	1.30:1	10W	7.4 (210)
D3-78FN	3	20	4.8	0.6	± 0.4 dB	1.30:1	1.30:1	5W	12.3 (350)
D4-78FN	4	20	6	0.7	± 0.4 dB	1.30:1	1.30:1	10W	17.0 (480)

*Used as divider, with Load VSWR <1.2:1

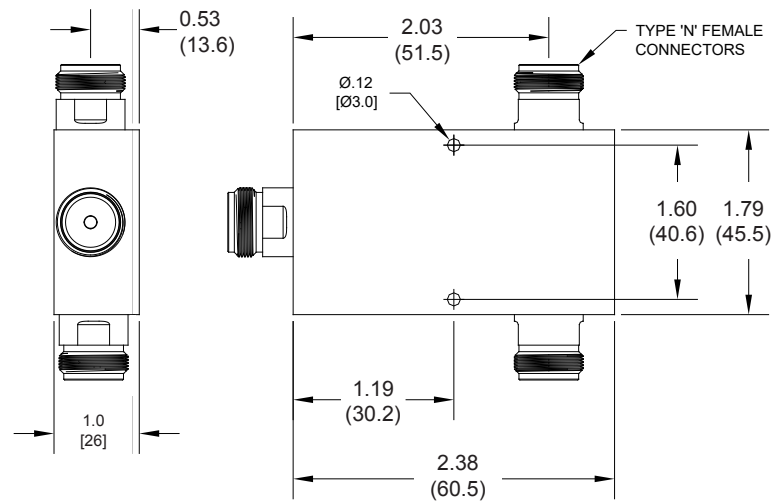


Note: Specifications are subject to change without prior notification.

03JUN2016

D2-78FN

Note:
Outline not to scale


D3-78FN

Note:
Outline not to scale

