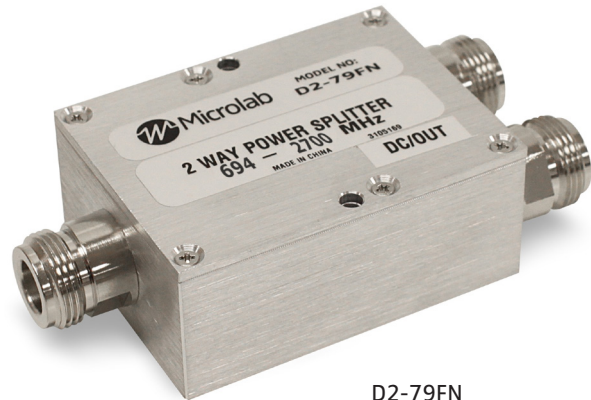


- ◆ 694 - 2,700 MHz Multi-Band Frequency Range with one DC Path Blocked
- ◆ 10 W Power Rating
- ◆ Low RF Insertion Loss
- ◆ 20 dB Isolation
- ◆ RoHS compliant
- ◆ Low Cost Design



D2-79FN

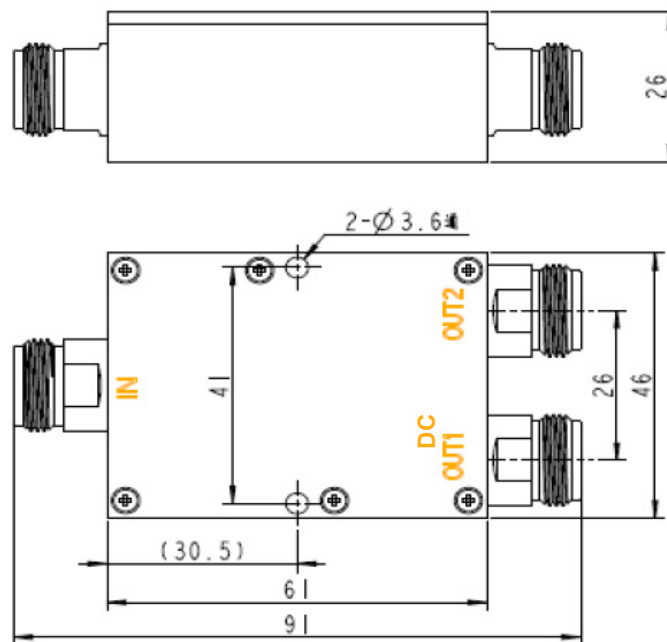
Microlab Model D2-79FN Wilkinson design 2 way Power Divider is based on the D2-69. It has been modified for GPS applications, which require only one signal path to pass DC. The unit has broad frequency coverage from 694 to 2700 MHz, and offers high output isolation and good VSWR.

Bandwidth: 694 - 2,700 MHz
DC Path: Output 1 only, 200mA max.
25 Vdc max.
Impedance: 50Ω nominal
Environment: -40 to +75°C, Indoor
Housing: Passivated Aluminum
Connectors: Triplate

Model Number	Connector (all ports)	No. of Ways	Split Loss	Output Isolation	Insertion Loss, typ.	Amplitude Balance	VSWR All Ports	Power Rating*	Weight nom.
D2-79FN	N-type (f)	2	3 dB	>20 dB	0.4 dB	<0.3 dB	<1.25:1	10W avg.	6.6 (185)

*Used as divider into load(s) with VSWR <1.2:1

D2-79FN Outline



Note: Specifications are subject to change without prior notification.

27MAR2019