

- ◆ Ultra-Wide band reactive Splitters for 5G NR-U
- ◆ 300 W Average Power
- ◆ Guaranteed Low PIM
- ◆ 30 day Salt Fog Tested
- ◆ IP67 Rated
- ◆ 4.3-10 and N-Type Flange Connectors
- ◆ RoHS Compliant



Microlab Dx-83 Series 2/3/4 way reactive Power Splitters have been designed to evenly split high power cellular signals with minimal reflections or loss. All joints are moisture sealed with o-rings to meet IP67 rating. The mechanical shape allows ease of mounting to the wall using the supplied brackets.

The ultra-wide frequency range allows use in 5G NR deployments with multiband antennas and leaky cable systems. With few solder joints and an air dielectric, the loss has been minimized and reliability enhanced.

Frequency Range:	617 - 5925 MHz
Impedance:	50Ω nominal
Power:	300W avg., 1kW peak
PIM:	-165 dBc (-122 dBm) typ. <-161 dBc (-118 dBm) (Test 2 tones @ +43 dbm @ Ambient)
Temperature:	-40°C to +75°C
Environment:	IP67, 30 days Salt Fog Tested ASTM B117 Compliant
Finish, Connectors:	4.3-10 (f), N-Type(f), Flange Triplate
Housing:	Passivated aluminum
Mounting:	Bracket provided
Weight:	
2-way:	0.7 lbs [0.30 kg]
3-way:	0.8 lbs [0.35 kg]
4-way:	1.0 lbs [0.45 kg]
Dimensions:	See Outline Drawing

Model No.	No. of Ways	Split Loss	Frequency (MHz)	Insertion Loss (dB)	Amplitude Balance (dB)	Input VSWR
D2-83FE D2-83FN	2	3 dB	617-2700	<0.2	<0.2	1.20:1
			3100-4200	<0.3	<0.4	1.20:1
			4900-5925	<0.5	<0.8	1.30:1
D3-83FE D3-83FN	3	4.8 dB	617-2700	<0.2	<0.2	1.20:1
			3100-4200	<0.5	<0.7	1.20:1
			4900-5925	<0.5	0.8 [†]	1.30:1
D4-83FE D4-83FN [§]	4	6 dB	617-2700	<0.25	<0.6	1.30:1
			3100-4200	<0.35	<0.6	1.30:1
			4900-5925	0.5 [*]	0.8 [†]	1.35:1

*Insertion loss: 0.8 dB max., 0.5 dB typ. †Amplitude Balance: 1.1db max, 0.8 dB typ.

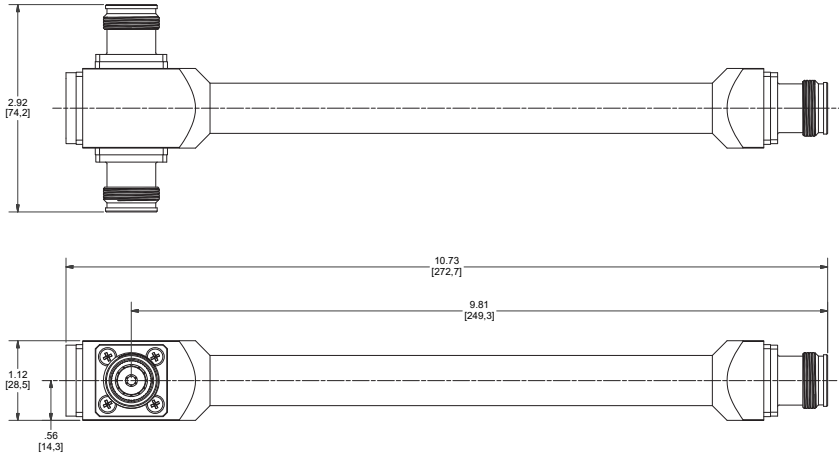
§Amplitude balance: <1.0 dB @3100-4200MHz & <1.0 dB, 0.8 dB typ., @4900-5925MHz

Note: Specifications are subject to change without prior notification.

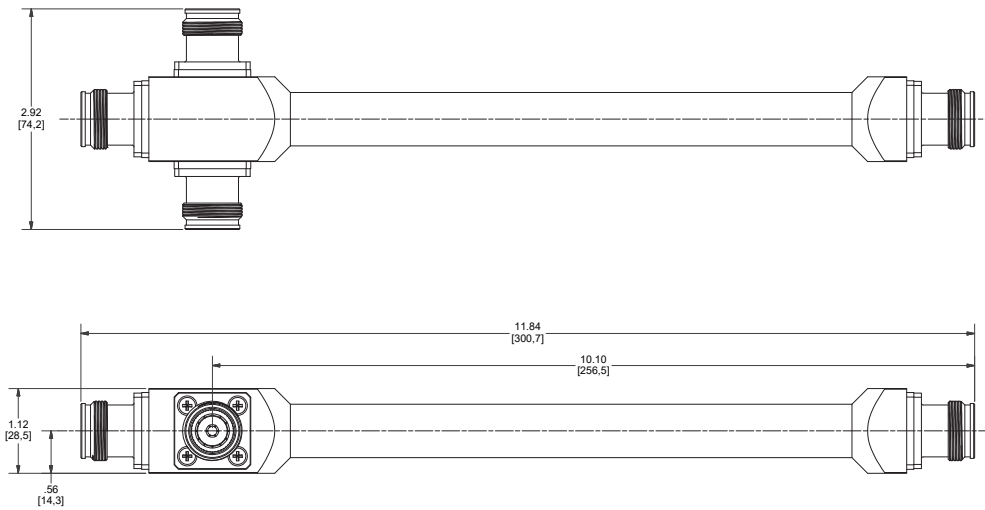
01AUG2024

D2-83FE Outline

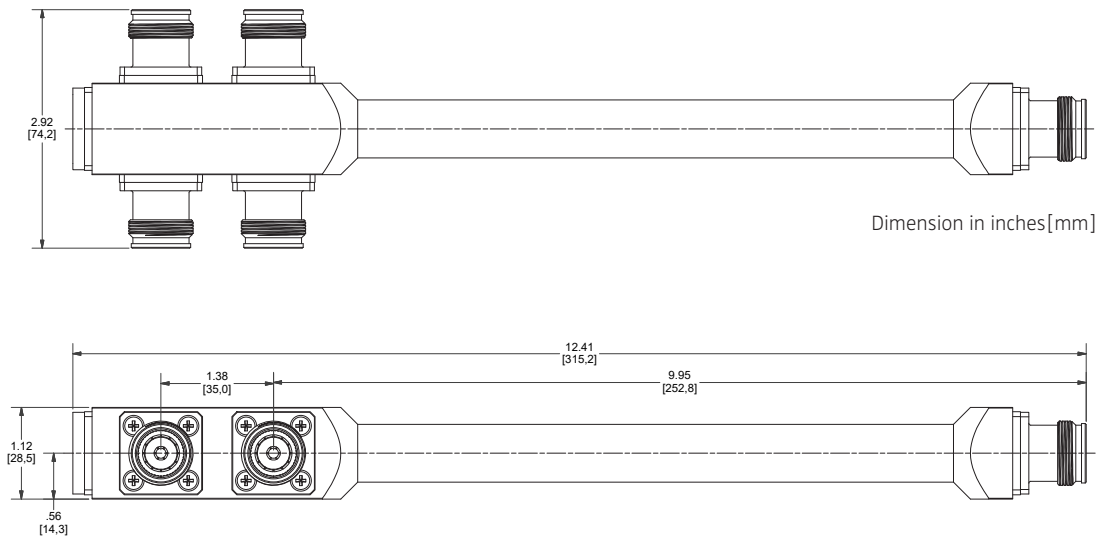
Dimension in inches[mm]



D3-83FE Outline



D4-83FE Outline

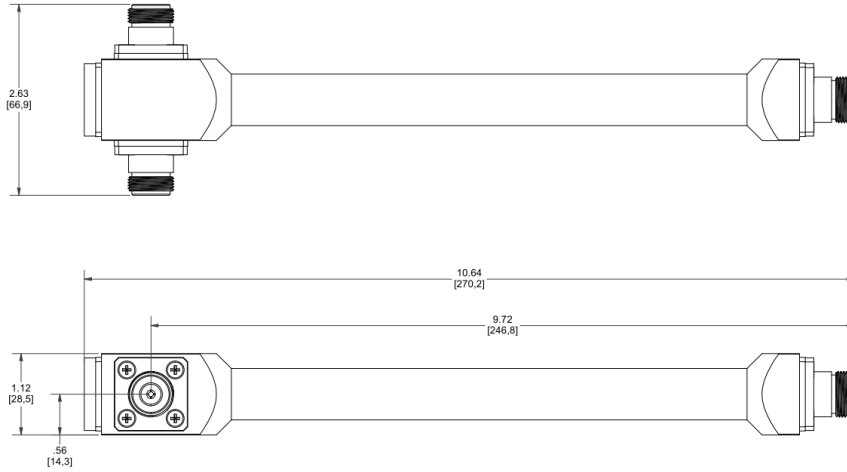


Dimension in inches[mm]

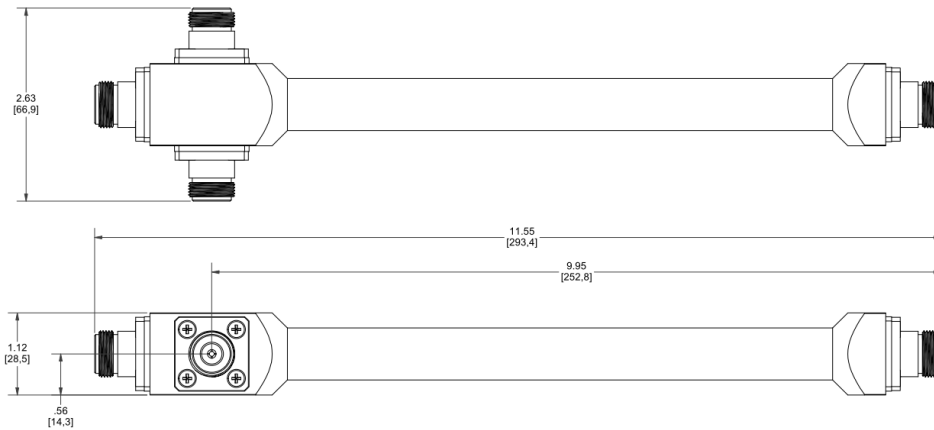
Note: Specifications are subject to change without prior notification.

D2-83FN Outline

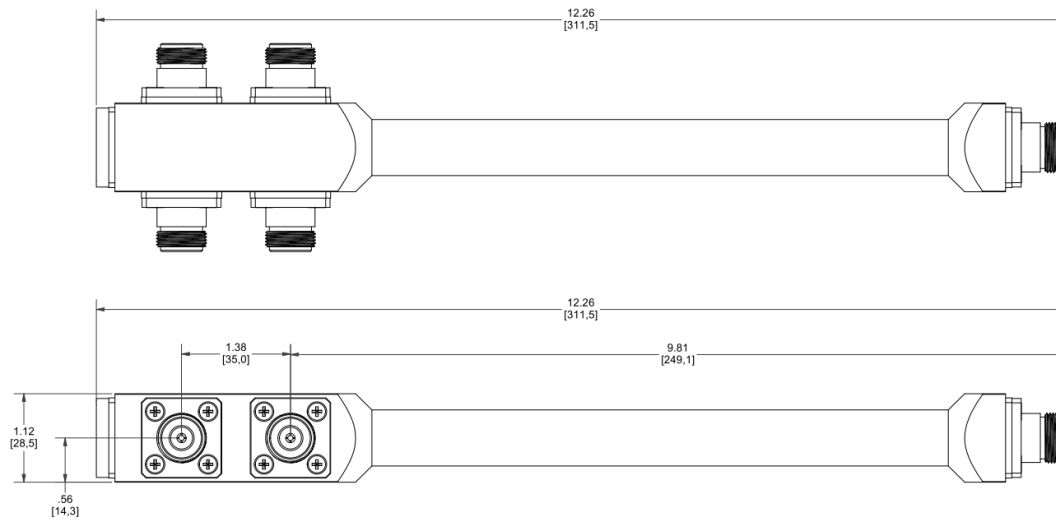
Dimension in inches[mm]



D3-83FN Outline



D4-83FN Outline



Note: Specifications are subject to change without prior notification.