

- ◆ Enterprise+ Series: Commercial Wire-  
less Applications
- ◆ 694 - 2,700 MHz Multi-Band  
Frequency Range
- ◆ Guaranteed Low PIM
- ◆ 50 Watt Average Power
- ◆ IP65 Rated
- ◆ RoHS Compliant



Microlab's Enterprise+ Series addresses the commercial wire-  
less needs for Enterprise DAS Applications.

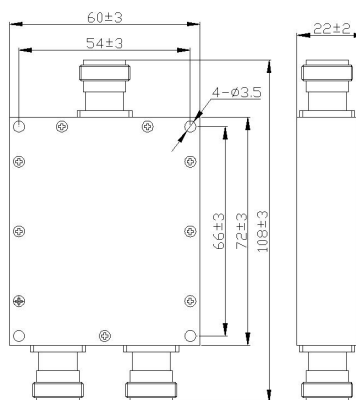
Microlab DxW-EP-727FN series of 2, 3 and 4 way Wilkinson  
Splitters have been designed where output isolation is preferable  
with minimum insertion losses.

The frequency range of this design with stable performance  
across the band enables optimal coverage and performance for  
multi-band applications.

Frequency Range:	694-2700MHz
Power:	50W avg
Impedance:	50Ω nominal
PIM, Passive IM:	≤-153 dBc (-110 dBm) (2 tones at +43 dBm)
Temperature:	-35°C to +65°C
Environment:	IP65
RoHS:	Compliant
Finish:	Black Paint
Connector:	N-type (f)
Dimensions:	
2-way	2.36 x 2.83 x 0.87 in [60 x 72 x 22 mm]
3-way	3.58 x 3.94 x 0.87 in [91 x 100 x 22 mm]
4-way	4.41 x 3.73 x 0.87 in [112 x 94.7 x 22 mm]

Model Number	No. of Ways	Split Loss (dB)	Insertion Loss (dB)	Isolation (dB)	VSWR	Weight, nom
						lbs. (kg)
D2W-EP-727FN	2	3	≤ 0.4	≥ 20	≤ 1.3:1	0.54 (0.25)
D3W-EP-727FN	3	4.8	≤ 0.7	≥ 18	≤ 1.3:1	0.77 (0.35)
D4W-EP-727FN	4	6	≤ 0.8	≥ 17	≤ 1.31	0.88 (0.40)

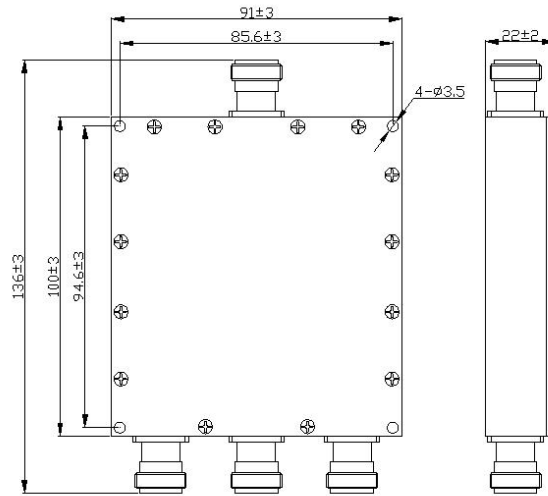
**D2W-EP-727FN Outline**



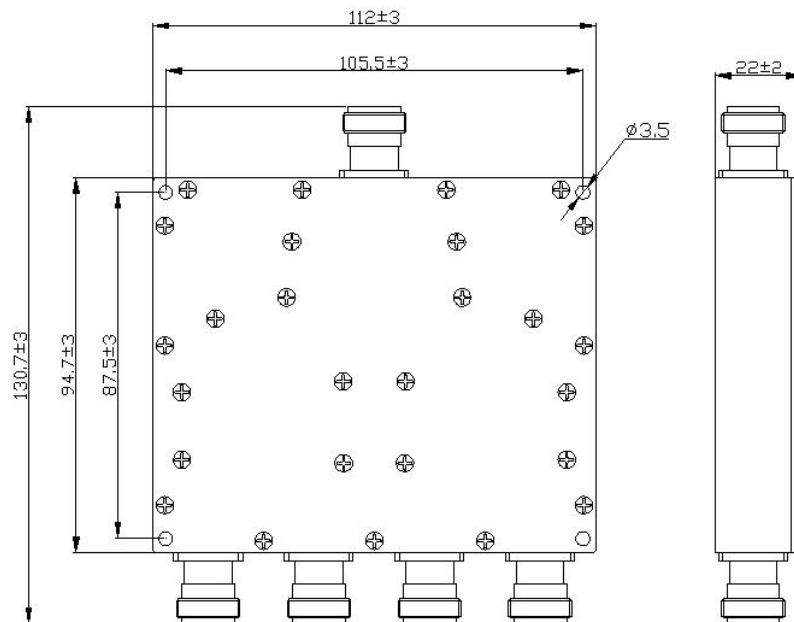
Note: Specifications are subject to change without prior notification.

27FEB2025

**D3W-EP-727FN Outline**



**D4W-EP-727FN Outline**



**Note: Specifications are subject to change without prior notification.**