

- ◆ 1100-1650 MHz Frequency Range
- ◆ 5 & 10 W Power Rating
- ◆ Low RF Insertion Loss
- ◆ 20 dB Isolation
- ◆ RoHS compliant
- ◆ N-Type Connectors

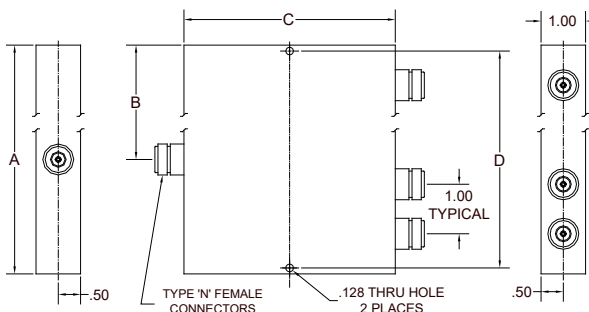


Microlab DxW-GPS-43FN Wilkinson style splitters have been designed for GNSS applications. All ports pass DC to the antenna LNA. The unit has a frequency coverage from 1100 to 1650 MHz, and offers high output isolation and good VSWR. Wide frequency of operation allow for use with GPS L1/L2/ L5, Galileo E1/E5/E6 and Glonass G1/G2/G3 bands.

Bandwidth:	1100-1650 MHz
Impedance:	50Ω nominal
DC Pass:	All Ports
Environment:	-30 to +60°C, Indoor
Housing:	Passivated Aluminum
Connectors:	N (f) triplate

Model Number	No. of Ways	Split Loss	Output Isolation	Insertion Loss, max.	Amplitude Balance	VSWR All Ports	Power Rating*
<b>D2W-GPS-43FN</b>	2	3 dB	>20 dB	0.4 dB	<0.3 dB	<1.25:1	10W avg.
<b>D3W-GPS-43FN</b>	3	4.8 dB	>20 dB	0.5 dB	<0.6 dB	<1.30:1	5W avg.
<b>D4W-GPS-43FN</b>	4	6 dB	>20 dB	0.6 dB	<0.3 dB	<1.25:1	10W avg.
<b>D8W-GPS-43FN</b>	8	9 dB	>20 dB	1.0 dB	<0.8 dB	<1.40:1	5W avg.

\*Used as divider into load(s) with VSWR <1.2:1



	<b>D2W-GPS-43FN</b>	<b>D3W-GPS-43FN</b>	<b>D4W-GPS-43FN</b>	<b>D8W-GPS-43FN</b>
<b>A</b>	1.81 (46)	2.91 (74)	4.00 (101)	8.36 (212)
<b>B</b>	0.91 (23)	1.46 (37)	2.00 (51)	4.18 (106)
<b>C</b>	2.40 (61)	4.06 (103)	2.80 (71)	4.80 (122)
<b>D</b>	1.61 (41)	2.71 (69)	3.82 (97)	8.05 (204)
<b>Ø</b>	0.12 (3.0)	0.12 (3.0)	0.12 (3.0)	0.12 (3.0)
<b>Wt.</b>	6.6 (185)	14.8 (415)	15.2 (395)	41.1 (1.156k)

Dimensions and Weight: Inches (mm); Wt: oz (g) nom.

Note: Specifications are subject to change without prior notification.

15JUL2024