

- ◆ Standard Bandwidth for commercial wireless applications
- ◆ Guaranteed Low PIM
- ◆ Multiple Attenuation Values
- ◆ Low VSWR
- ◆ IP67 Rated
- ◆ 4.3-10 connector
- ◆ RoHS Compliant

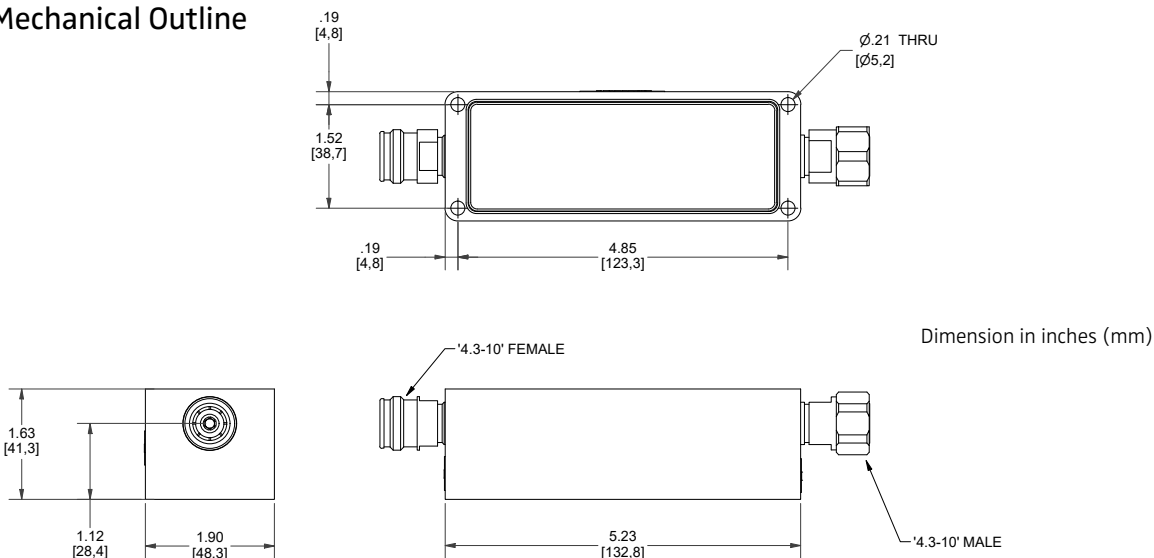


Microlab FY-xxE unidirectional low PIM attenuators are designed using a multi-section, quarter wave, stripline coupler with a low PIM cable load. It is intended for commercial applications covering all wireless bands from 617 to 2,700 MHz. This model couples off a portion of the input power to the output. With FY-xxE, a flat attenuation response is achieved over a wide frequency range. The wide frequency range allows use with multiband antennas and leaky cable systems and in wireless base stations.

Model No.	Attenuation (dB)	Accuracy (dB)		Avg Power (W)
		617-694 MHz	694-2700 MHz	
FY-03E	3	-0.9/+0.5	±0.5	40
FY-06E	6.5	+1.1/-0.8	±0.8	25
FY-10E	10.5	+1.3/-1.0	±1.0	20
FY-15E	15.5	+1.3/-1.0	±1.0	20
FY-20E	20.5	+1.3/-1.0	±1.0	20

Frequency Range: 617 to 2,700 MHz
 VSWR: (all ports) <1.25:1 (617-2500 MHz)
 <1.35:1 (2500-2700 MHz)
 PIM: -161 dBc (-121 dBm) typ.
 <-150 dBc (-110 dBm)
 Tested 2x tones @ max power
 50Ω nom.
 Impedance:
 Environment: -20° to +70°C, IP67
 Finish: Passivated aluminum
 Connectors: 4.3-10, Male-Female, Triplate
 Dimensions: 5.23 x 1.90 x 1.63 in
 Weight: 1.39 lbs. (0.63kg)

Mechanical Outline



Note: Specifications are subject to change without prior notification.

21JAN2021