

## Main Features

- Active GPSGlonass antenna for timing and synchronization
- Wide band to support GPS, GLONASS, Galileo and BeiDou
- Immunity to noise and interference
- With lightning protection
- High reliability in severe environments
- Mounting bracket included for wall and pole installation



## Antenna Part

Frequency Range	1559 - 1610.5 MHz
Antenna gain at zenith	≥ 2.5 dBi
Horizontal beamwidth	360 °
Vertical beamwidth	105 °
Polarization	R.H.C.P
Output Impedance	50 Ω

## LNA Part

Frequency Range	1559 - 1610.5 MHz
Gain	34 ± 2 dB
Group delay ripple	± 10 ns
Noise Figure	≤ 3.0 dB (-40°C ~ + 55°C)
Output Impedance	50 Ω
Output VSWR	≤ 1.8
Input P <sub>1dB</sub>	> 25 dBm @ 0.001 - 0.496 GHz
	> 20 dBm @ 0.496 – 0.96 GHz
	> 14 dBm @ 0.960 - 1.525 GHz
	> -30 dBm @ 1.525 - 1.785 GHz
	> 12 dBm @ 1.785 - 12.75 GHz
Out of band rejection	> 70 dB @ 1 - 960 MHz
	> 60 dB @ 960 - 1525 MHz
	> 14 dB @ 1695 - 1785 MHz
	> 58 dB @ 1.785 - 12.75 GHz
DC Voltage	5 V ± 1 V

Abnormal voltages (non-destruction)	-32 V to +4 V; +6 V to +32 V
Operating Current	10 ~ 35 mA
Inrush Current	≤ 30 uF
Lightning protection included	5 KA, 10/350 us
EMC Compliance	ETSI EN 301 489-19 V2.1.0 (2017-03)

## Overall Performance (Antenna Element, LNA, Cable & Connector)

Frequency Range	1559 - 1610.5 MHz
Gain	36 ± 4 dBi
Output Impedance	50 Ω
VSWR	≤ 1.8

## Environmental Specifications

Ingress protection	IP67
Operating temperature	-40°C to +55°C
Storage temperature	-40°C to +70°C
Transport temperature	-40°C to +70°C
Relative humidity	5 ~ 100%
Application	Outdoor
RoHS 2011/65/EU	Compliant
China RoHS	Compliant
Meets Ericsson requirements	1056-KRE 101 2395 Uen Rev C

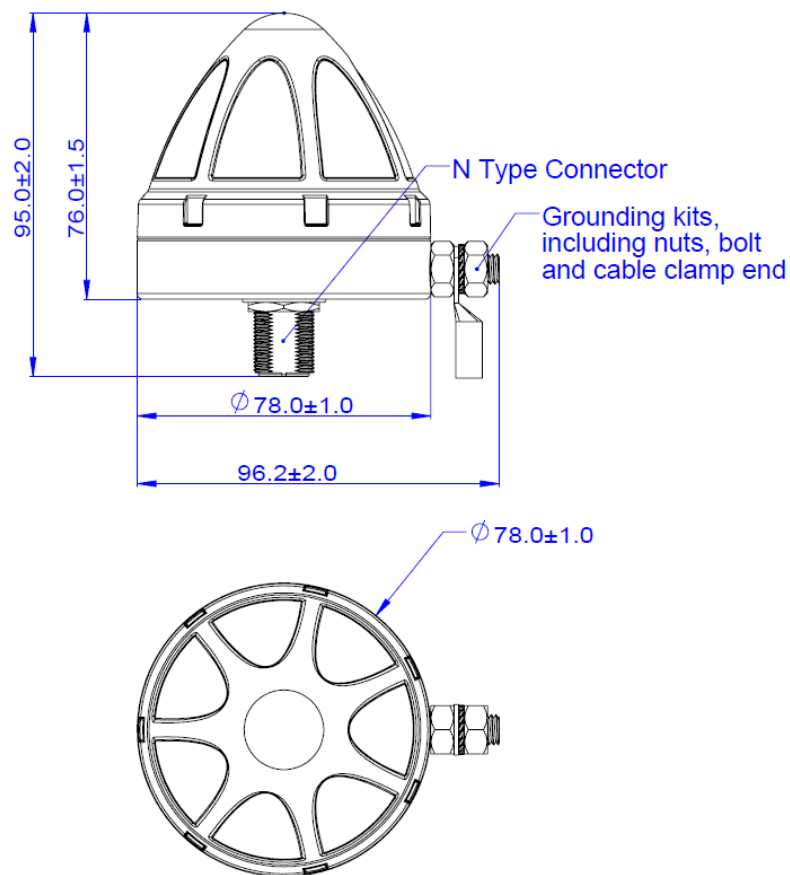
## Mechanical Specifications

Connector	N-Female
Dimension	Φ78 mm × H95 mm
Antenna Net Weight	225 g
Accessories	320 g
Box	55 g
Total weight (including box and accessories)	600 g

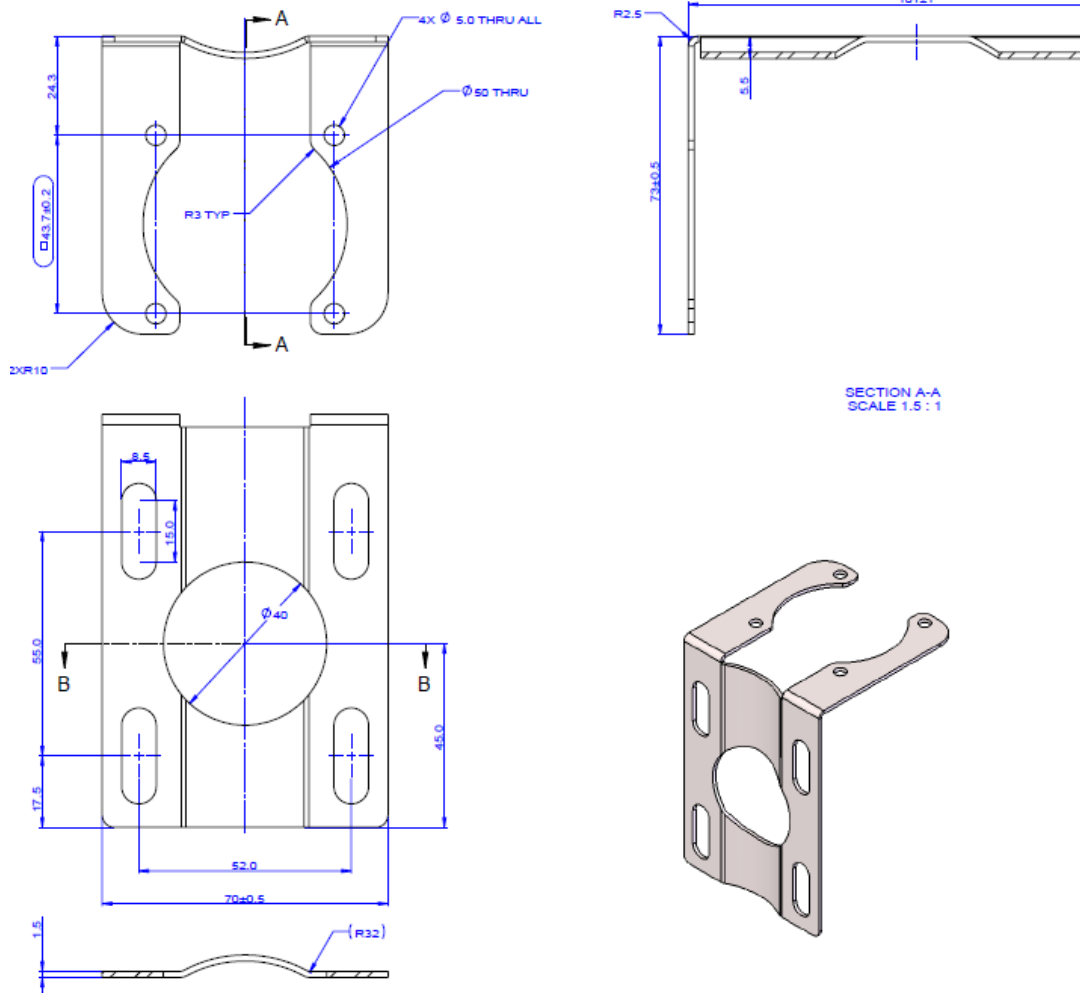
## Packing list

Antenna (with grounding kits)	1 pcs
Bracket	1 pcs
Mounting screw	4 pcs (2.1g /pcs)
Hose Clamp	2 pcs (40g /pcs)
Expansion bolt	4 pcs (33.2g /pcs)
Datasheet	1 pcs
Installation Manual	1 pcs

## Antenna Drawing



Mounting Bracket Drawing



While the information has been carefully compiled to the best of our knowledge, nothing is intended as representation or warranty on our part and no statement herein shall be construed as recommendation to infringe existing patents. In the effort to improve our products, we reserve the right to make changes judged to be necessary.