

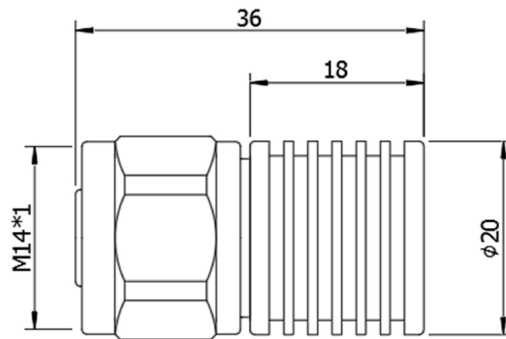
- ◆ Ultra-wideband low-profile resistive film load
- ◆ 2 W average rating
- ◆ Low VSWR
- ◆ Stable performance over wide operating temperature range
- ◆ Low-profile 2.2-5 male connector
- ◆ Rated for outdoor environments
- ◆ RoHS compliant



Microlab TA-2MG 2.2-5 termination is a low-power, low-profile termination designed for operation in DC to 6 GHz. It has been designed with a resistive film terminating element contained within a carefully matched coaxial housing. Applications include terminating cell site radio combiner and antenna unused ports.

Frequency:	DC - 6 GHz
Power:	2 W avg., 100 W peak
VSWR:	<1.20:1 @ DC - 6 GHz
Impedance:	50 $\Omega$ nominal
Environment:	-40 to +55°C, IP67 when mated
Connector:	2.2-5 (m)
Housing:	Black Anodized Aluminum
RoHS:	Compliant
Dimensions:	1.42 x $\Phi$ 0.79 in [36 x $\Phi$ 20 mm]
Weight:	1.44 oz. (40.8 g)

### Mechanical Outline



Dimension in mm

Note: Specifications are subject to change without prior notification.

27SEP2022