

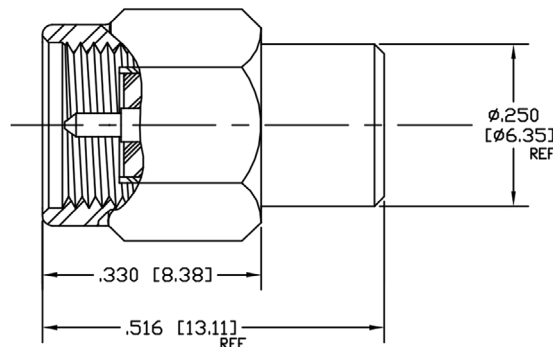
- ◆ Low profile, Resistive Load
- ◆ 2W standard
- ◆ VSWR to 1.05:1 at 2 GHz
- ◆ High Peak Power
- ◆ RoHS compliant
- ◆ For Mobile Equipment Application



Microlab TA-5MF terminations are low profile, low power coaxial loads, operating from DC to 18 GHz. They are designed with a Teflon dielectric, contained within a carefully matched coaxial housing.

Applications include terminating mobile equipment antenna connections for testing purposes.

Frequency:	DC to 18 GHz
VSWR:	1.05:1 (DC - 4 GHz) 1.10:1 (4 - 6 GHz) 1.15:1 (8 - 12.4 GHz) 1.20:1 (12.4 - 18 GHz)
Impedance:	50Ω nominal
Average Power:	2 Watt @ 25°C Derated Linearly from: +45°C to <10% @ +125°C
Peak Power:	2 kW
Environment:	-65 to +125°C
Connector:	SMA (m)
Finish	
Housing	Passivated Stainless Steel
Inner Conductor:	Gold Plated Beryllium Copper
Outer Conductor:	Steel, Corrosion Resistant
Weight, nominal:	0.1 oz (2.9 g)



Dimension in inches [mm]

Note: Specifications are subject to change without prior notification.

08NOV2017