

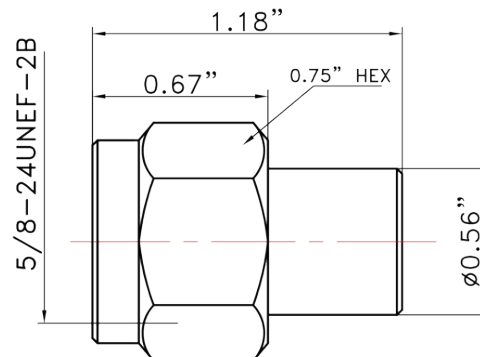
- ◆ Low profile, Resistive Load
- ◆ 2W standard
- ◆ VSWR to 1.17:1 at DC - 4 GHz
- ◆ High Peak Power
- ◆ RoHS compliant
- ◆ For Mobile Equipment Application



Microlab TA-5MN terminations are low profile, low power coaxial loads, operating from DC to 18 GHz. They are designed with a resistive film terminating element, contained within a carefully matched coaxial housing.

Applications include terminating mobile equipment antenna connections for testing purposes.

Frequency:	DC to 18 GHz
VSWR:	<1.17:1 @DC - 4 GHz <1.34:1 @4 - 6 GHz 1.43:1 typ. @6 - 18 GHz
Impedance:	50Ω nominal
Average Power:	2 Watt @ 25°C (Derated Linearly to 1W @ +125°C)
Environment:	-55 to +125°C
Connector:	N (m)
Finish	
Body:	Ternary-alloy Plated Brass
Center Contact:	Brass, Gold Plated
Weight, nominal:	1.350 oz (38.3g)



Dimension in inches

Note: Specifications are subject to change without prior notification.

23MAR2023