

- ◆ MIMO Omni Antenna for all common wireless carrier bands
- ◆ Low Passive IM., PIM
- ◆ Small Size, Light Weight
- ◆ Ceiling Mount
- ◆ High Gain, Stable Performance
- ◆ Up to 50 Watts Average Power
- ◆ High Reliability
- ◆ Simple, Cost Effective Design
- ◆ For Indoor Applications



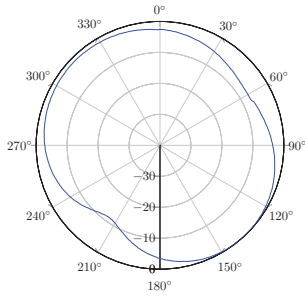
The YA-30NF is an attractive low cost MIMO omnidirectional antenna. These antennas are popular for propagating in-building wireless signals in distributed antenna systems, (DAS). This wideband antenna covers all common wireless and WiFi bands in the range of 698 to 2700 MHz such as 700, 800, 850, 900, 1700, 1800, 1900, 2100, 2400, and 2600 MHz.

Frequency Bands:	
Low Band:	698-960 MHz
High Band:	1710-2700 MHz
Peak Gain:	5.0±1 dBi @698-960 MHz 6.0±1 dBi @1710-2100 MHz 4.0±1 dBi @2500-2700 MHz
VSWR:	<1.6:1 typ.
Isolation:	>20 dB
Polarisation:	Cross-pol
Beam Width	
Horizontal:	360°
Vertical:	85° @698-960 MHz 50° @1710-2700 MHz
Input Power:	50W max
Intermod. (PIM):	-153 dBc typ, <-150 dBc max (test with 2 x +43 dBm tones)
Environment:	-40° to +60°C, operational
Connectors:	N-type female
Radome Material:	White, UV-Protected ABS
Antenna Dimensions:	
Diameter:	8.66 in. (220 mm)
Height:	2.36 in. (60 mm)
Weight, nom:	0.88 lbs (0.4 kg)

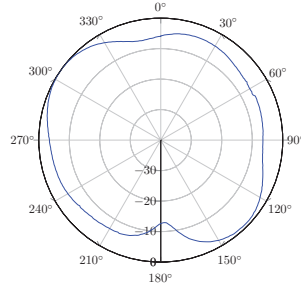
Performance Patterns

Horizontal

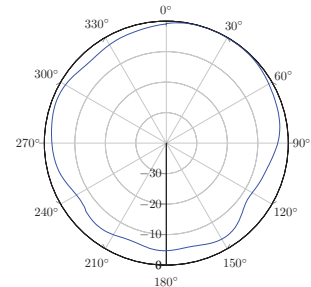
700 MHz



1750 MHz

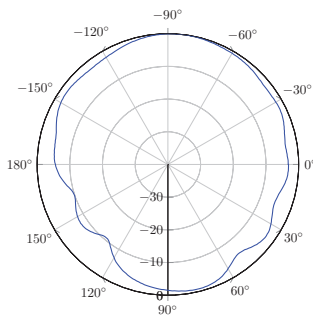


2500 MHz

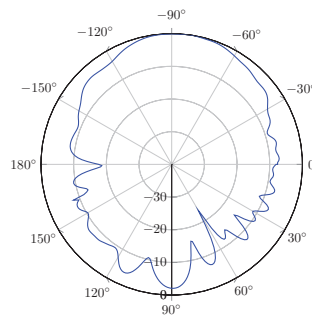


Vertical

700 MHz



1750 MHz



2500 MHz

