

Preliminary Specifications

- ◆ Monitor public safety DAS infrastructure health with SMART Passive System.
- ◆ SMART Coupler designed for public safety UHF & TETRA applications
- ◆ With SMART Coupler and Gateway, enable diagnostics, power, and communication over RF coaxial cable
- ◆ Network alarms communicated via e-mail, SMS & SNMP
- ◆ N-type coaxial connector interface
- ◆ RoHS Complaint



The UHF SMART Coupler SC-xxN-450 combines a specially developed narrow band, 380-512 MHz, passive coupler with active diagnostic technology for system monitoring with failure detection and malfunction location capabilities.

The SMART(System Monitor Alarm Report Technology) Passives system comprises a SMART Gateway at the head-end and SMART Coupler deployed in the DAS. Each coupler reports the VSWR at each port based on a calibrated CW tone generated by the gateway. The SMART Coupler can report failures such as open/short circuits when the network may not be operating as intended by storing and comparing the VSWR at the port over time. The SMART gateway then communicates the alarm via e-mail, SMS, or SNMP. It also pinpoints the location where the failure occurred.

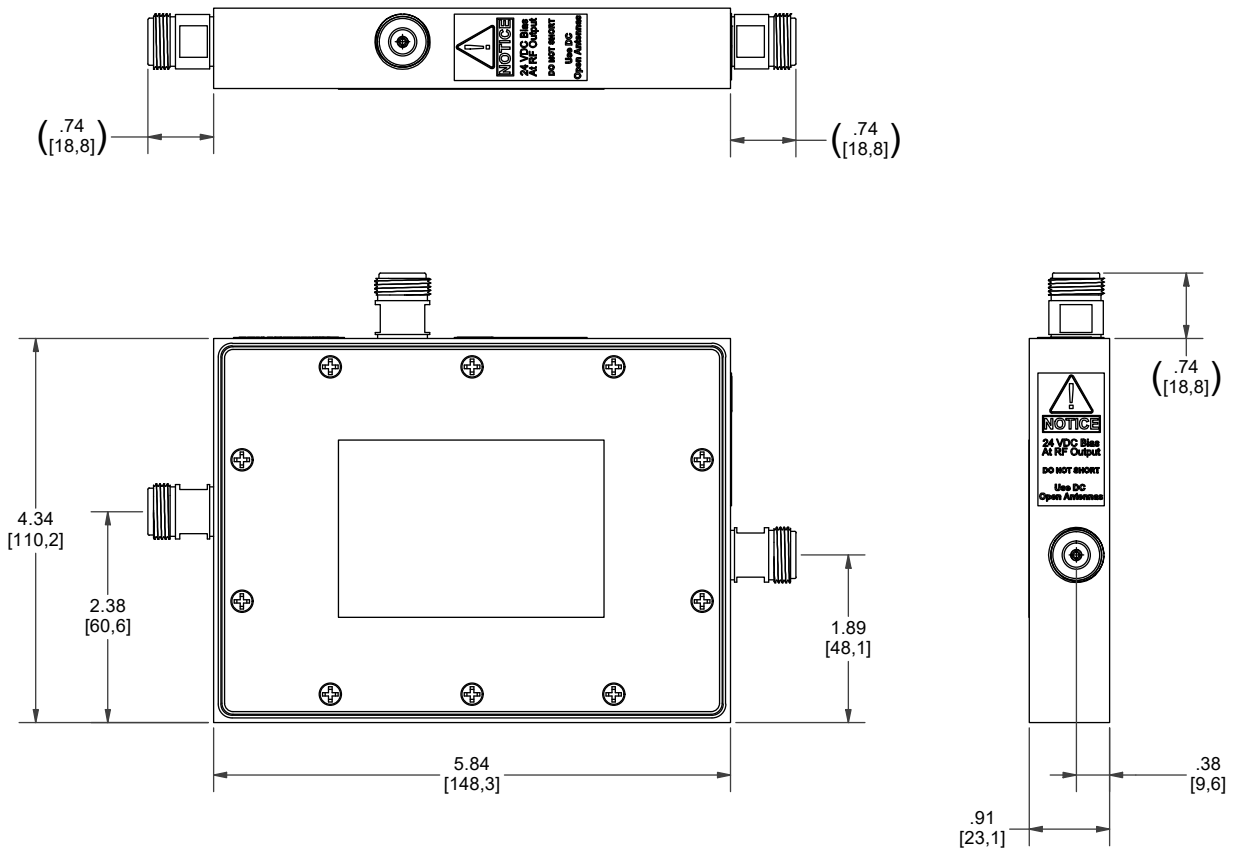
The real-time monitoring that the SMART Passives system provides ensures that public safety DAS integrators, Authorities Having Jurisdiction (AHJ), and building owners can rely upon the operation of their critical communication systems.

Frequency:	380-512 MHz
VSWR:	1.40:1 max.
Power Rating:	50 W avg.
Detector Range:	-33 to +37 dBm
Accuracy:	± 3 dB
Monitor Frequency:	ISM 928MHz
Dissipative Loss:	1.0 dB
Freq. Sensitivity:	± 1.2 dB
DC Power* :	0.3 W typ. with +24 VDC @ ambient
DC Current* :	0.01 A typ. with +24 VDC @ ambient
Impedance:	50Ω nom.
Environment:	-20°C to +50°C, Indoor
Housing Finish:	Passivated Aluminum
Connectors:	N-type(f), Triplate
Weight:	~2.2 lbs (1.0 kg)
Dimensions:	5.84 x 4.34 x 0.91 inches [148.3 x 110.2 x 23.1 mm]
* DC Power is supplied by the SMART Gateway @ head-end	

Part No.	Coupling nom.
SC-06N-450	6 dB
SC-10N-450	10 dB
SC-15N-450	15 dB
SC-20N-450	20 dB

Note: Specifications are subject to change without prior notification.

15OCT2021

SC-xxN-450 Outline


Dimensions in inches[mm]

Note: Specifications are subject to change without prior notification.