

- ◆ Slots for up to 4x MCC Filter Cards
- ◆ Compact aesthetic POI for DRAN Applications
- ◆ 10" depth from the wall
- ◆ Ultra-wideband 4x4 Hybrid enables 5G FR1 bands for Neutral Host Network
- ◆ IP67 Rated
- ◆ Blank faceplate available for unused slots



Cards sold separately



The MCC200-SRC-XX series offers three models of compact wall mount chassis tailored for scalable network configurations across multiple operators. Each model features four slots for Microlab's MCC200-xxx series filter cards, IP67 rating for durability, and day 1 support for lead MNO commissioning. All models are equipped with pass-through holes at the back for seamless interconnection of modular filter card ports.

The **MCC200-SRC-00** model comes as a standalone chassis, suitable for single operator or future expansions. The **MCC200-SRC-01** model integrates a single hybrid, ideal for supporting 2-operator MIMO configurations. Meanwhile, the **MCC200-SRC-02** model, designed for 3-operator MIMO setups, houses two integrated hybrids.

For unused slots in the subrack, **MCC200-A03** blank faceplates can be used. See **CM-141E-2R** and **CM-141E-4R** for rack mount hybrids options.

Model Number	# of Included	Weight nom.
Outdoor	CM-141E Hybrids	lb (kg)
MCC200-SRC-00	chassis only	3.5 (1.59)
MCC200-SRC-01	1	8.5 (3.89)
MCC200-SRC-02	2	13.5 (6.19)

Hybrid:	Refer CM-141E datasheet
Subrack:	
Slots:	4
Mounted Depth:	10.07 [255.8 mm]
Width:	10.03 in [254.8 mm]
Height:	
MCC200-SRC-00:	10.46 in [265.6 mm]
MCC200-SRC-01:	14.20 in [360.6 mm]
MCC200-SRC-02:	17.94 in [455.6 mm]
Material:	Aluminum
Finish:	Painted

MCC200-SRC-XX configurations



MCC200-SRC-00



MCC200-SRC-01

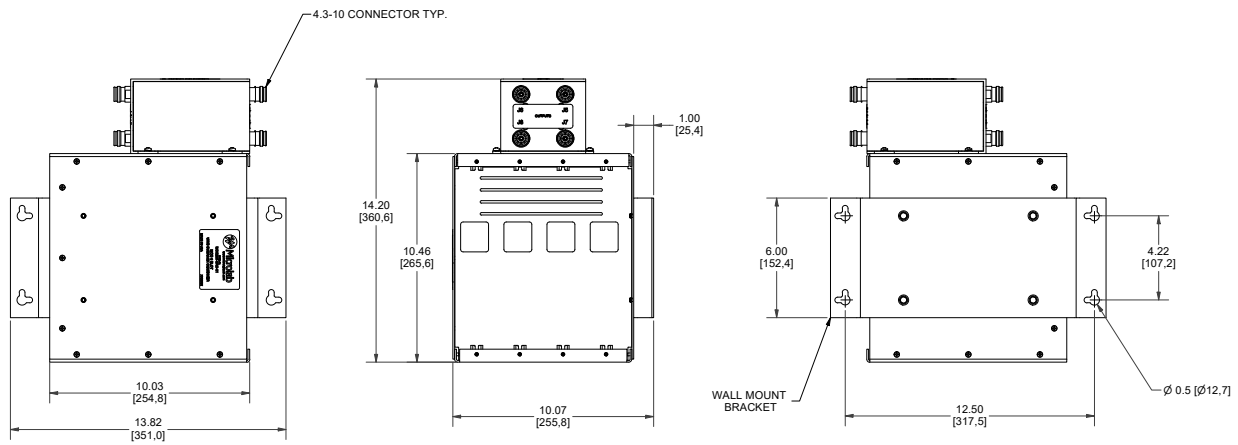


MCC200-SRC-02

Note: Specifications are subject to change without prior notification.

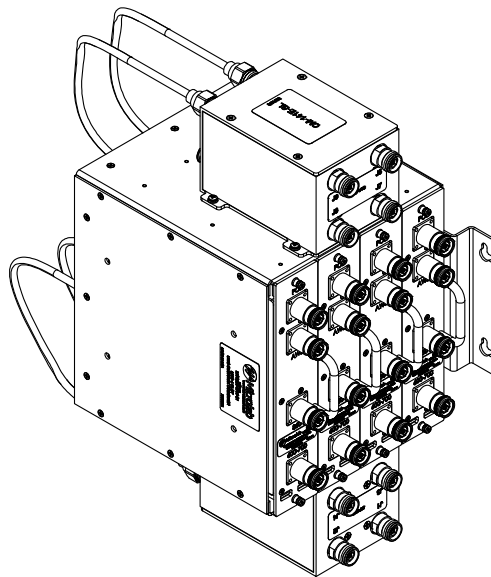
15AUG2023

Outline Diagram



Dimensions in inches [mm]

3D view of MCC-SRC-02 with 4 modular filter cards (sold separately)



Note: Specifications are subject to change without prior notification.

Microlab, A Division of RF Industries, 300 Interpace Pkwy, Parsippany, NJ 07054

Tel: (862) 328-1101 • sales@microlabtech.com • www.microlabtech.com